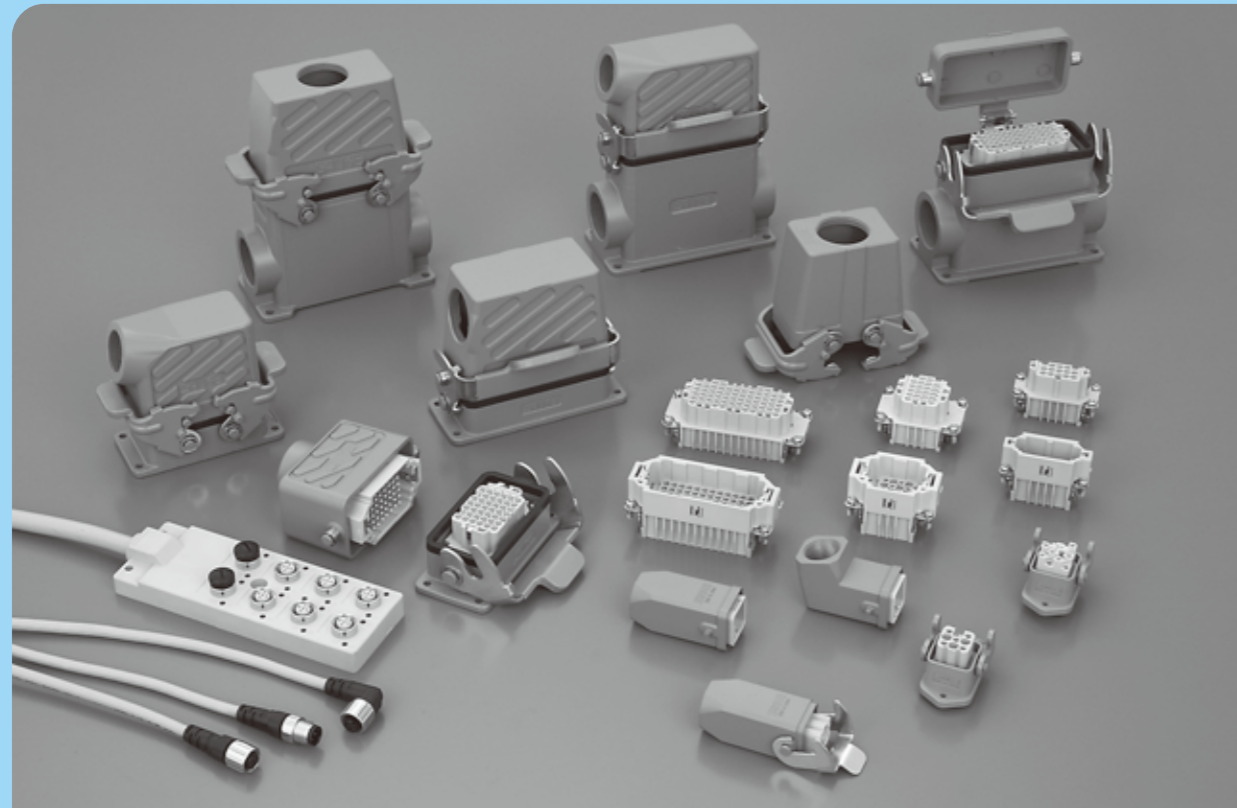


HEAVY DUTY CONNECTOR
SANCUBE TM
サンキューブ



サンキューブ

1. RECTANGULAR HEAVY DUTY CONNECTOR

Designed for machine tool and factory application under Pollution Degree 3

2. COMPATIBILITY

Generally compatible with European rectangular heavy duty connector

3. GLOBAL

In conformity with a variety of safety standards CE, UL, CSA, CCC

4. DELIVERY

Short lead time

5. COMPLETE CABLE ASSEMBLIES & WIRING HARNESSSES

With our product brands SANCABLE, KEIFLEX, SANFLEKIROBO, KEIGLAND, SANCUBE, complete cable assemblies & wiring harnesses are achievable

6. SMOOTHNESS OF MALE CONTACT INSERTION

- FEMALE CONTACT (CC1.6) is uniquely developed in order to improve smoothness of diagonal insertion of MALE CONTACT
- High tensile strength between CONTACT and INSERT

7. IP

Degree of protection IP for AXES / PINS for LEVER of HOOD, HOUSING is good with monobloc casting with MAIN BODY

8. OIL RESISTANCE

With Metal LEVER, oil resistance is better than PC LEVER

9. METRIC THREAD

ENTRY of HOOD / HOUSING is with metric thread

SANCUBE

COMPONENTS

CABLE



SANCABLE
SANFLEKIROBO
KEIFLEX

CABLE GLAND
ZDC / PA



KEIGLAND
KEIGLAND MULTI - OPENING SERIES
FITTING FOR SANFLEKIROBO
FITTING FOR KEIFLEX

HOOD
ADC / PA



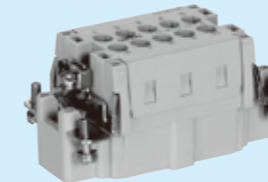
LOW CONSTRUCTION/HIGH CONSTRUCTION
TOP ENTRY / SIDE ENTRY

MALE CONTACT
BRASS



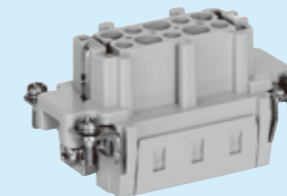
CRIMP TERMINATION(TURNED CONTACT/ STAMPED CONTACT)
SCREW TERMINATION(TURNED CONTACT)

MALE INSERT
PC



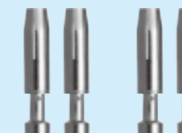
MALE INSERT(REGULAR TYPE)
COMBINATION INSERT
MODULE INSERT
YT INSERT

FEMALE INSERT
PC



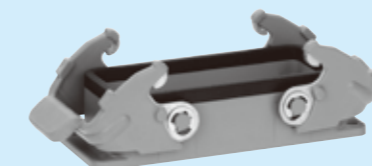
FEMALE INSERT(REGULAR TYPE)
COMBINATION INSERT
MODULE INSERT
YT INSERT

FEMALE CONTACT
BRASS



CRIMP TERMINATION(TURNED CONTACT/ STAMPED CONTACT)
SCREW TERMINATION(TURNED CONTACT)

HOUSING
ADC / PA



BULKHEAD MOUNTING
CABLE TO CABLE
SURFACE MOUNTING

KEIFLEX
SANFLEKI
ROBO
KEIGLAND
POWER
GODZILLA
PULCA TUBE
SANPIPE
GRIPLOK
SANPARTS
SANCABLE
SANCUBE

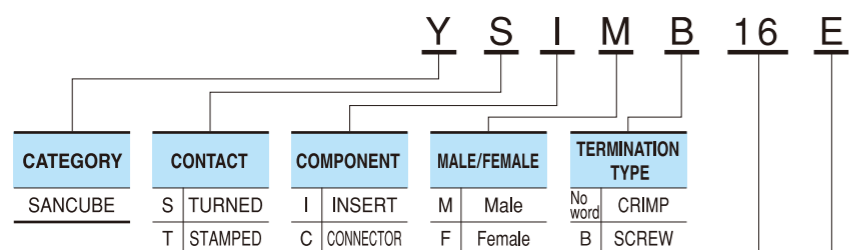
INSERT

INSERT

INSERT DESIGNED FOR TURNED CONTACT			
MODEL	INSERT (REGULAR TYPE)	COMBINATION INSERT	MODULE INSERT
SERIES	YSI※ZD,DD,E,EE	YSI※K	YSI※M

INSERT / CONNECTOR DESIGNED FOR STAMPED CONTACT				
INSERT / CONNECTOR	INSERT	INSERT		
SERIES	YTI※DD	YTI※D		

HOW TO READ THE ITEM CODE



NUMBER OF CONTACTS	NUMBER OF CONTACTS	NUMBER OF CONTACTS	NUMBER OF CONTACTS
3	3	15	15
4	4	16	16
5	5	18	18
6	6	20	20
7	7	24	24
8	8	32	32
10	10	42	42
12	12	46	46

SIZE · RATED CURRENT			SIZE · RATED CURRENT		
SERIES	SIZE	RATED CURRENT	SERIES	SIZE	RATED CURRENT
ZD	STYLE A	10A	MC	※2	40A
ZD2	STYLE A	10A	MC2	※2	40A
ZDD	STYLE A	10A	MC3	※2	40A
ZE	STYLE A	16A	MDD	※2	10A
D	STYLE B	10A	ME	※2	16A
DD	STYLE B	10A	MEE	※2	16A
E	STYLE B	16A	MEEE	※2	16A
EE	STYLE B	16A	MHE	※2	16A
HE	STYLE B	16A	MHH	※2	100A
SB	STYLE B	35A	MK	※3	40A/10A
K	※1	Decided by spec.			

(e.g.) **YSIMB24E**

MALE INSERT SCREW TERMINATION TYPE NUMBER OF CONTACTS 24 STYLE B 16A

※1 : COMBINATION INSERT STYLE B
 ※2 : MODULE INSERT STYLE B
 ※3 : COMBINATION MODULE INSERT STYLE B

SUMMARY - INSERT

SUMMARY OF CONSTRUCTION AND USE

- ASSEMBLY / DISCONNECTION OF MALE INSERT AND FEMALE INSERT
 - ASSEMBLY OF MALE INSERT and FEMALE INSERT: the earth terminal of MALE INSERT and the earth terminal of FEMALE INSERT touch each other first. Then, CONTACT of MALE INSERT and CONTACT of FEMALE INSERT touch each other.
 - DISCONNECTION OF MALE INSERT and FEMALE INSERT: CONTACT of MALE INSERT detaches from CONTACT of FEMALE INSERT first. Then, the earth terminal of MALE INSERT detaches from the earth terminal of FEMALE INSERT.
- INSERT can be attached to HOOD, HOUSING, RACK, PANEL.
- MALE INSERT / FEMALE INSERT
 - MALE INSERT (with MALE CONTACT) shall generally be connected to HOOD. It can also be connected to HOUSING
 - FEMALE INSERT (with FEMALE CONTACT) shall generally connected to HOUSING. It can also be connected to HOOD
- Assembly and disconnection of INSERT shall NOT be conducted during the passage of electric current
- CODING PIN, GUIDE PIN, GUIDE BUSH are useful in order to avoid wrong insertion of connector in applications where multiple HOOD, HOUSING are parallelly installed.
- WIRING
 - Crimp termination
 - Wiring by means of crimping
 - Wires shall be crimped for the appropriate tensile strength as indicated in the CHART 1
 - Select appropriate CONTACT which is suitable for conductor nominal cross sectional area to be crimped
 - Crimping tool to be used shall be in good repair
 - Screw termination
 - Wiring by means of screws (screws are to be delivered with CONTACT)
 - Wires shall be connected to CONTACT with the tightening torque as indicated in the CHART 2
 - A ferrule is not required for CONTACT with wire protection
 - A ferrule is required for CONTACT without wire protection. In this case, wires shall be fixed by means of screws after the ferrule was crimped to the wires

CHART 1 (QUOTED STANDARD: DIN EN60352-2)

CONDUCTOR NOMINAL CROSS SECTIONAL AREA	TENSILE STRENGTH	
mm ²	AWG	N
0.25		32
0.32	22	40
0.5	20	60
0.75		85
0.82	18	90
1.0		108
1.3	16	135
1.5		150
2.1	14	200
2.5		230
3.3	12	275
4.0		310
5.3	10	355
6.0		360
8.4	8	370
10.0		380

CHART 2

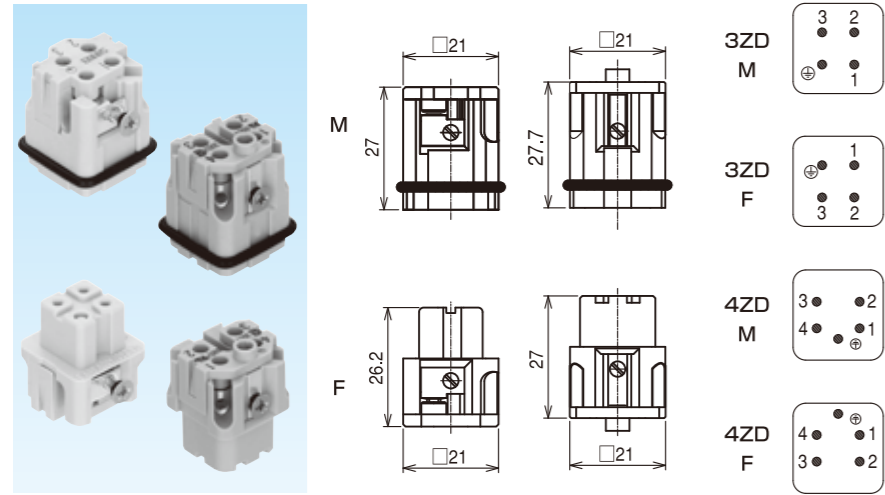
SCREW SIZE	INSERT CHARACTERISTICS	TIGHTENING TORQUE (N·m)	SCREWDRIVER SIZE
M3	for screw termination : 3ZD,4ZD,5ZE	0.25	0.4×2.5
M3	for screw termination : 10ZE、16ZE、32ZE	0.5	0.5×3.5 or ± size 1
M3	for screw termination : 6~48E,3~32HE for screw to fix INSERT, for GUIDE PIN/GUIDE BUSH	0.5	0.5×3.5 or ± size 1+2
M4	for earth terminal : STYLE A, STYLE B, 8/24K	1.2	0.5×3.5 or ± size 1+2
M4	for screw termination : 6SB、12SB	1.2	0.8×4.5
M5	for earth terminal : 6SB,12SB,4/0K,4/2K,4/8K,12/2K	2.0	0.8×4.5 1.2×8
M6	for screw termination : 4/0K,4/2K,4/8K (80A)	1.2	0.8×4.5

- With preventive measures in order to avoid loss of screws (M3) for INSERT during transportation
- Voltage rating for INSERT
 - Rated voltage 600V applies to UL / CSA
 - Rated voltage 250V or 500V applies to EN for application under Pollution Degree 3.
 - When INSERT (Rated Voltage 250V) ZD, D, DD SERIES are used under EN, the INSERT can be adapted for Rated voltage 380V or 500V by thinning out contacts.
 - When INSERT (Rated voltage 500V) EE SERIES is used under EN, the INSERT can be adapted for Rated voltage 690V or 1,000V by thinning out contacts.
 - Contact us for information of CONTACT arrangement

3 + ⊕, 4 + ⊕

SERIES YSI※ZD 600V 10A SIZE 3A SCREW TERMINATION

- STYLE 3A
- Screw termination type
- Suitable terminal: Ferrule
- With CONTACT
- Earth type: Body earth
- Contact arrangement: View from termination side



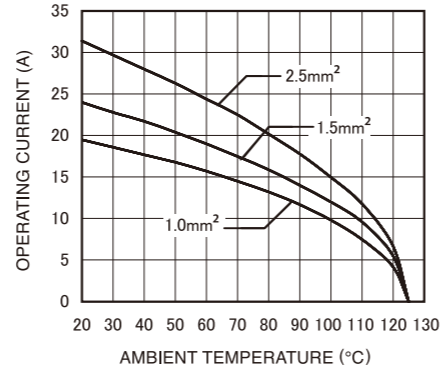
[SCREW TERMINATION]

DELIVERY	ITEM NO.	MALE/FEMALE	NUMBER OF CONTACTS	SIZE	SIZE OF CONNECTABLE HOOD-HOUSING	WEIGHT (g/PC)	QTY/PACKAGE
⊙	YSIMB3ZD	Male	3 + ⊕	3A	3A	14	5
⊙	YSIFB3ZD	Female				12	5
⊙	YSIMB4ZD	Male	4 + ⊕			14	5
⊙	YSIFB4ZD	Female				14	5

DATA / TECHNICAL CHARACTERISTICS

RATED CURRENT		10A
RATED VOLTAGE	UL/CSA	600V
	DIN/EN (Pollution Degree 3)	230/400V
DIELECTRIC VOLTAGE-WITHSTAND		2.21KV
INSULATION RESISTANCE		10 ¹⁰ Ω or more
CONTACT RESISTANCE		1mΩ or less
LIMITING TEMPERATURE		-40~+125°C
MATERIAL		PC
CONTACT		Included
TERMINATION TYPE		Screw termination type
CONDUCTOR NOMINAL CROSS SECTIONAL AREA		1~2.5mm ²
CODING PIN		Nil

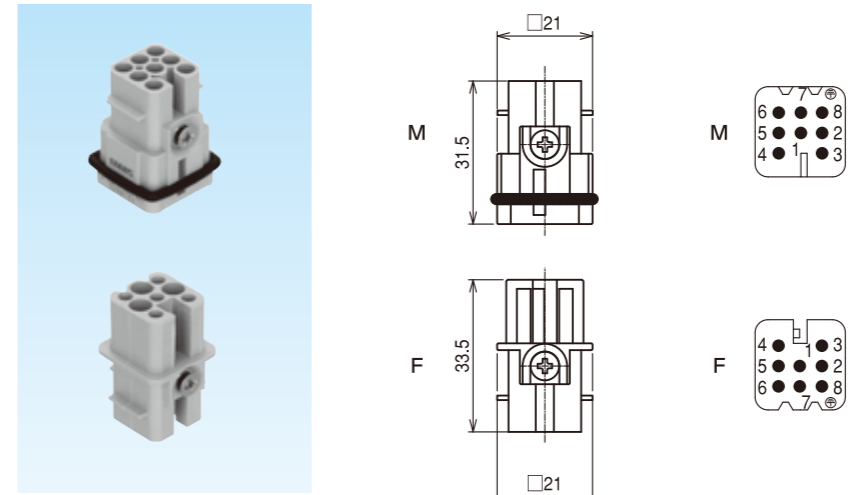
CURRENT CARRYING CAPACITY



8 (7 + ⊕)

SERIES YSI※8ZD 42V 10A SIZE 3A CRIMP TERMINATION

- STYLE 3A
- Designed for lower rated voltage requirement
- Earth type: Contact earth
- Contact arrangement: View from termination side



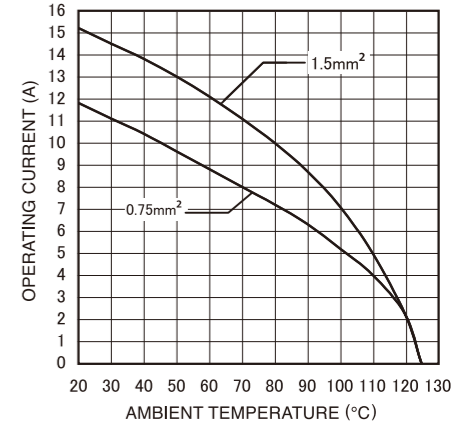
[CRIMP TERMINATION]

DELIVERY	ITEM NO.	MALE/FEMALE	NUMBER OF CONTACTS	SIZE	SIZE OF CONNECTABLE HOOD-HOUSING	WEIGHT (g/PC)	QTY/PACKAGE
⊙	YSIM8ZD	Male	8	3A	3A	9	5
⊙	YSIF8ZD	Female				10	5

DATA / TECHNICAL CHARACTERISTICS

RATED CURRENT		10A
RATED VOLTAGE	UL/CSA	42V
	DIN/EN (Pollution Degree 3)	~50V、-120V
DIELECTRIC VOLTAGE-WITHSTAND		2.21KV
INSULATION RESISTANCE		10 ¹⁰ Ω or more
CONTACT RESISTANCE		3mΩ or less
LIMITING TEMPERATURE		-40~+125°C
MATERIAL		PC
CONTACT		CC1.6 (Separately available)
TERMINATION TYPE		Crimp termination type
CONDUCTOR NOMINAL CROSS SECTIONAL AREA		0.14~2.5mm ²
CODING PIN		SCPA450

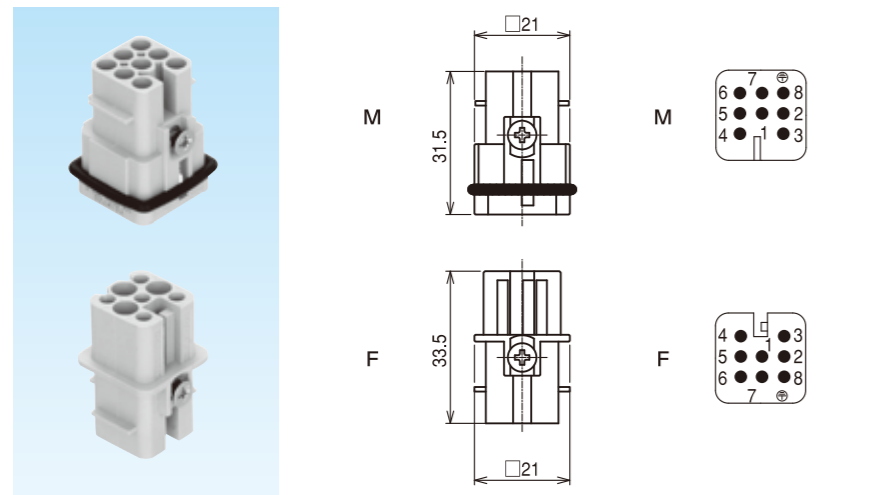
CURRENT CARRYING CAPACITY



7 + ⊕

SERIES YSI※7ZD 600V 10A SIZE 3A' CRIMP TERMINATION

- STYLE 3A
- Density of crimping contacts: Regular
- Earth type: Contact earth
- Select non-metallic HOOD, HOUSING
- Contact arrangement: View from termination side



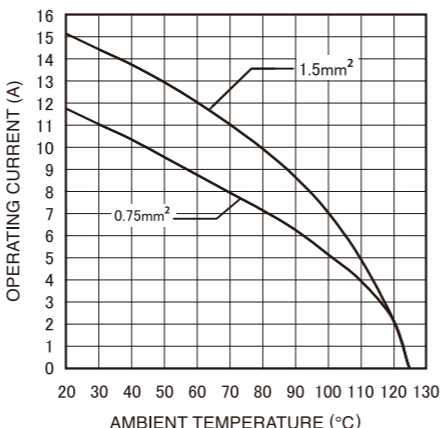
[CRIMP TERMINATION]

DELIVERY	ITEM NO.	MALE/FEMALE	NUMBER OF CONTACTS	SIZE	SIZE OF CONNECTABLE HOOD-HOUSING	WEIGHT (g/PC)	QTY/PACKAGE
⊙	YSIM7ZD	Male	7 + ⊕	3A'	3A'	9	5
⊙	YSIF7ZD	Female				10	5

DATA / TECHNICAL CHARACTERISTICS

RATED CURRENT		10A
RATED VOLTAGE	UL/CSA	600V
	DIN/EN (Pollution Degree 3)	250V
DIELECTRIC VOLTAGE-WITHSTAND		2.21KV
INSULATION RESISTANCE		10 ¹⁰ Ω or more
CONTACT RESISTANCE		3mΩ or less
LIMITING TEMPERATURE		-40~+125°C
MATERIAL		PC
CONTACT		CC1.6 (Separately available)
TERMINATION TYPE		Crimp termination type
CONDUCTOR NOMINAL CROSS SECTIONAL AREA		0.14~2.5mm ²
CODING PIN		SCPA450

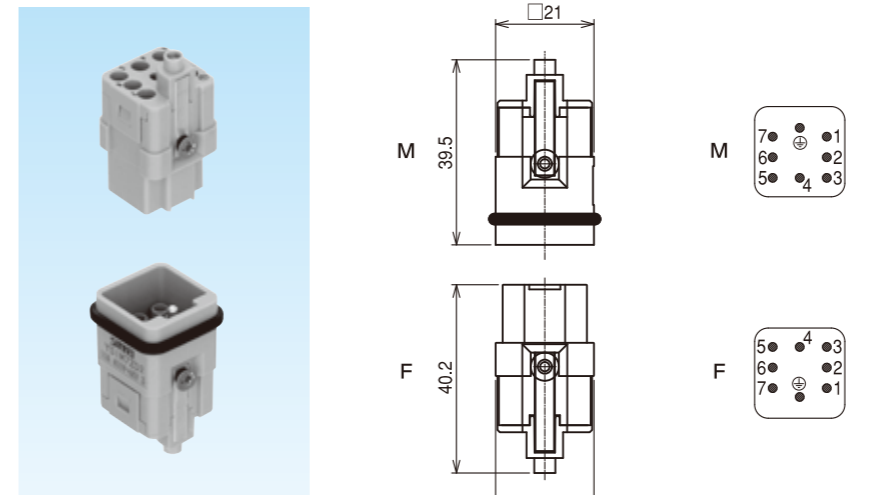
CURRENT CARRYING CAPACITY



7 + ⊕

SERIES YSI※7ZD2 600V 10A SIZE 3A CRIMP TERMINATION

- STYLE 3A
- Density of crimping contacts: Regular
- Suitable terminal for earth: Ferrule
- Earth type: Body earth
- Contact arrangement: View from termination side



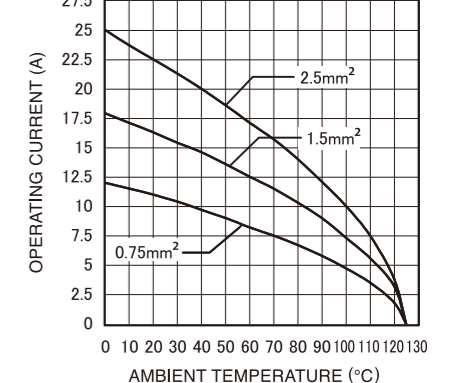
[CRIMP TERMINATION]

DELIVERY	ITEM NO.	MALE/FEMALE	NUMBER OF CONTACTS	SIZE	SIZE OF CONNECTABLE HOOD-HOUSING	WEIGHT (g/PC)	QTY/PACKAGE
⊙	YSIM7ZD2	Male	7 + ⊕	3A	3A	13	5
⊙	YSIF7ZD2	Female				14	5

DATA / TECHNICAL CHARACTERISTICS

RATED CURRENT		10A
RATED VOLTAGE	UL/CSA	600V
	DIN/EN (Pollution Degree 3)	400V
DIELECTRIC VOLTAGE-WITHSTAND		3.31KV
INSULATION RESISTANCE		10 ¹⁰ Ω or more
CONTACT RESISTANCE		3mΩ or less
LIMITING TEMPERATURE		-40~+125°C
MATERIAL		PC
CONTACT		CC1.6 (Separately available)
TERMINATION TYPE		Crimp termination type
CONDUCTOR NOMINAL CROSS SECTIONAL AREA		0.14~2.5mm ²
EARTH CONTACT		Included (Screw termination type)
EARTH NOMINAL CROSS SECTIONAL AREA		2.5mm ²
CODING PIN		SCPA517/518

CURRENT CARRYING CAPACITY

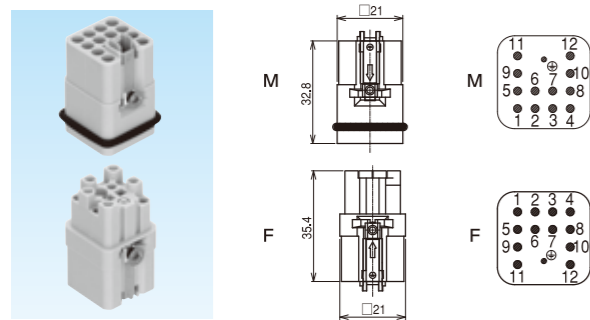


12 + ⊕

SERIES YSI※12ZDD※※ 600V 10A SIZE 3A CRIMP TERMINATION

- STYLE 3A
- Density of crimping contacts: High
- TURRET ASSEMBLY for crimping tool type YSTL (refer to the page for TOOL) shall be used

- Contact arrangement: View from termination side
- EARTH CONTACT is included (It is also separately available)



[CRIMP TERMINATION]

DELIVERY	ITEM NO.	MALE/FEMALE	EARTH NOMINAL CROSS SECTIONAL AREA (mm ²)	NUMBER OF CONTACTS	SIZE	SIZE OF CONNECTABLE HOOD-HOUSING	WEIGHT (g/PC)	QTY/PACKAGE
○	YSIM12ZDD0305	Male	0.25~0.5	12 + ⊕	3A	3A	10	5
○	YSIF12ZDD0305	Female					11	5
○	YSIM12ZDD0710	Male	0.75~1.0				10	5
○	YSIF12ZDD0710	Female					11	5
○	YSIM12ZDD1525	Male	1.5~2.5				10	5
○	YSIF12ZDD1525	Female					11	5

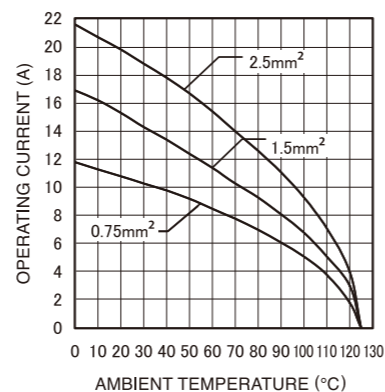
[EARTH CONTACT - separately available]

DELIVERY	ITEM NO.	MALE/FEMALE	EARTH NOMINAL CROSS SECTIONAL AREA (mm ²)	WEIGHT (g/PC)	QTY/PACKAGE
○	YSCMQ05	Male	0.25~0.5	1.1	20
	YSCFQ05	Female		1.4	20
○	YSCMQ10	Male	0.75~1.0	1.1	20
	YSCFQ10	Female		1.4	20
○	YSCMQ25	Male	1.5~2.5	1.1	20
	YSCFQ25	Female		1.4	20

DATA / TECHNICAL CHARACTERISTICS

RATED CURRENT	10A
RATED VOLTAGE	UL/CSA 600V DIN/EN (Pollution Degree 3) 400V
DIELECTRIC VOLTAGE-WITHSTAND	3.31KV
INSULATION RESISTANCE	10 ¹⁰ Ω or more
CONTACT RESISTANCE	3mΩ or less
LIMITING TEMPERATURE	-40~+125°C
MATERIAL	PC
CONTACT	CC1.6 (Separately available)
TERMINATION TYPE	Crimp termination type
CONDUCTOR NOMINAL CROSS SECTIONAL AREA	0.14~2.5mm ²
EARTH CONTACT	Included (also separately available)
CRIMPING TOOL FOR EARTH CONTACT	YSTL268
CODING PIN	SCPA504

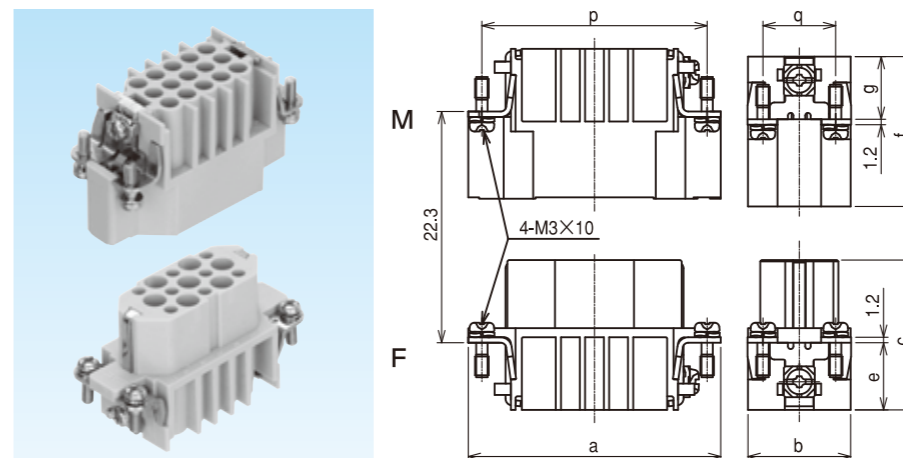
CURRENT CARRYING CAPACITY



15 + ⊕, 25 + ⊕, 50 + ⊕

SERIES YSI※ZD 600V 10A CRIMP TERMINATION

- STYLE A
- Density of crimping contacts: Regular



DATA / TECHNICAL CHARACTERISTICS

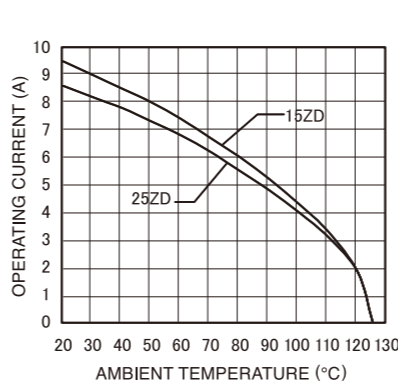
RATED CURRENT	10A
RATED VOLTAGE	UL/CSA 600V DIN/EN (Pollution Degree 3) 250V
DIELECTRIC VOLTAGE-WITHSTAND	2.21KV
INSULATION RESISTANCE	10 ¹⁰ Ω or more
CONTACT RESISTANCE	3mΩ or less
LIMITING TEMPERATURE	-40~+125°C
MATERIAL	PC
CONTACT	CC1.6 (Separately available)
TERMINATION TYPE	Crimp termination type
CONDUCTOR NOMINAL CROSS SECTIONAL AREA	0.14~2.5mm ²
GUIDE PIN, GUIDE BUSH	SCPA448/449

[CRIMP TERMINATION]

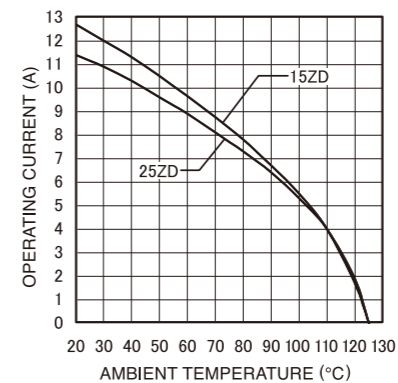
DELIVERY	ITEM NO.	MALE/FEMALE	NUMBER OF CONTACTS	SIZE	SIZE OF CONNECTABLE HOOD-HOUSING	a	b	c	e	f	g	p	q	WEIGHT (g/PC)	QTY/PACKAGE
○	YSIM15ZD	Male	15 + ⊕	10A	10A	55.6	22.6	33.0	14.9	33.0	13.8	49.5	16.0	14	1
○	YSIF15ZD	Female												17	1
○	YSIM25ZD	Male	25 + ⊕	16A	16A	72.0	22.6	36.0	15.8	34.0	14.8	66.0	16.0	21	1
○	YSIF25ZD	Female												25	1
○	YSIM50ZD	Male	50 + ⊕	32A	32A	50ZD consists of 2 pieces of YSI※25ZD							28	2	
○	YSIF50ZD	Female											34	2	

Ambient temperature, Operating current

- There is the interrelationship between Operating current and Ambient temperature



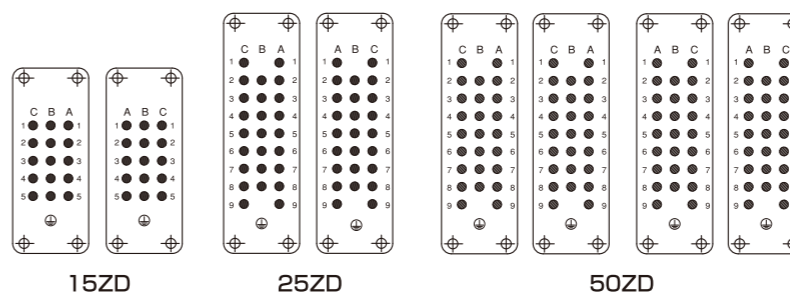
Conductor nominal cross sectional area 0.75mm²



Conductor nominal cross sectional area 1.5mm²

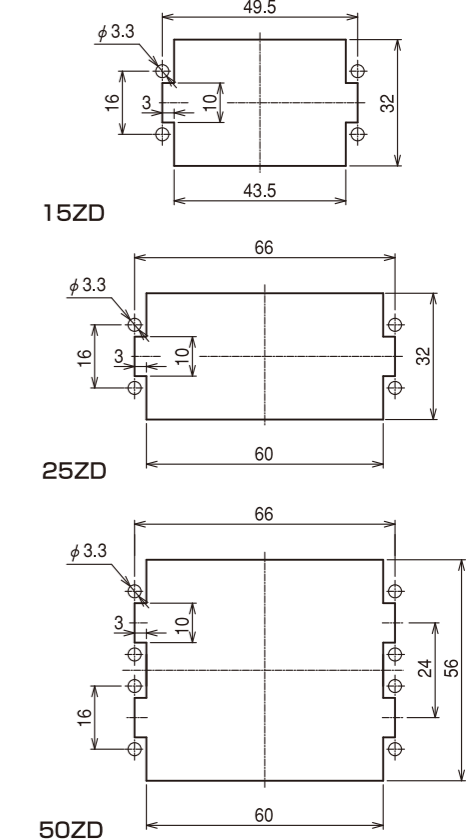
Contact arrangement

- Contact arrangement: View from termination side



Panel cut out

- The drawing shows the panel cut size when INSERT shall be attached to the panel without HOOD, HOUSING
- INSERT shall be attached to the front surface of the panel

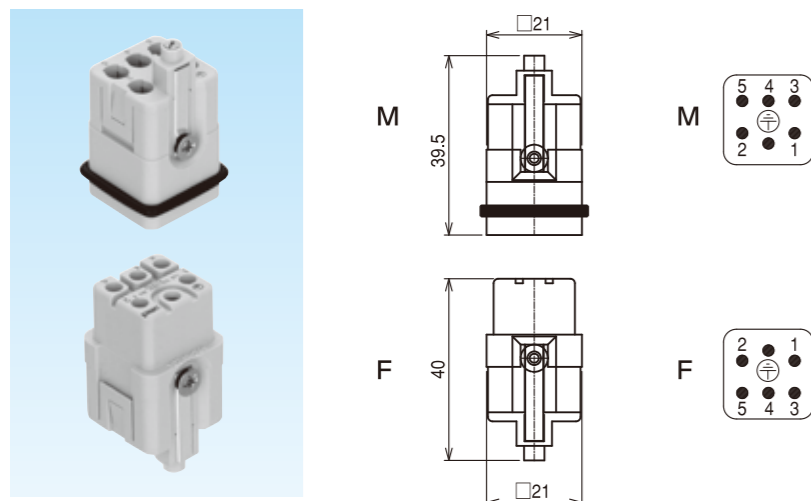


5 + ⊕

SERIES YSI※5ZE 600V 16A SIZE 3A CRIMP TERMINATION

- STYLE 3A
- Density of crimping contacts: Regular
- RELAY CONTACT can be used
- Suitable terminal for earth: Ferrule

- Earth type: Body earth
- Contact arrangement: View from termination side



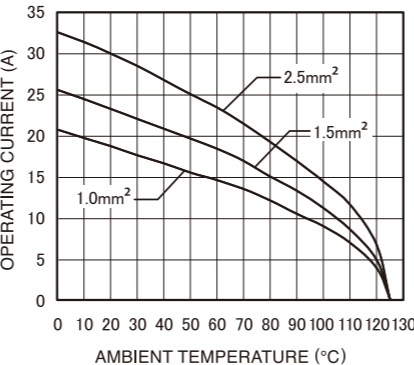
[CRIMP TERMINATION]

DELIVERY	ITEM NO.	MALE/FEMALE	NUMBER OF CONTACTS	SIZE	SIZE OF CONNECTABLE HOOD-HOUSING	WEIGHT (g/PC)	QTY/PACKAGE
○	YSIM5ZE	Male	5 + ⊕	3A	3A	12	5
○	YSIF5ZE	Female				13	5

DATA / TECHNICAL CHARACTERISTICS

RATED CURRENT	16A
RATED VOLTAGE	UL/CSA 600V DIN/EN (Pollution Degree 3) 230V/400V
DIELECTRIC VOLTAGE-WITHSTAND	2.21KV
INSULATION RESISTANCE	10 ¹⁰ Ω or more
CONTACT RESISTANCE	1mΩ or less
LIMITING TEMPERATURE	-40~+125°C
MATERIAL	PC
CONTACT	CC2.5 (Separately available)
TERMINATION TYPE	Crimp termination type
CONDUCTOR NOMINAL CROSS SECTIONAL AREA (except Earth)	0.5~4mm ²
EARTH CONTACT	Included (Screw termination type)
EARTH NOMINAL CROSS SECTIONAL AREA	0.5~2.5mm ²
CODING PIN	SCPA453

CURRENT CARRYING CAPACITY

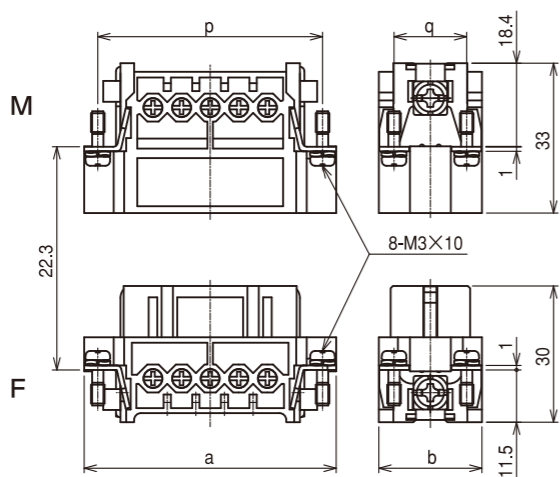
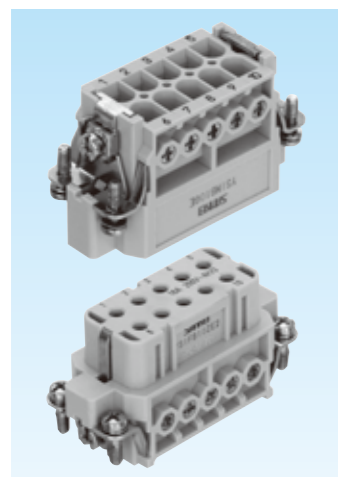


10 + ⊕, 16 + ⊕, 32 + ⊕

SERIES YSI ZE 600V 16A SCREW TERMINATION/CRIMP TERMINATION

- STYLE A
- Density of crimping contacts: Regular
- Crimp termination type: CONTACT is separately available
- Screw termination type: With CONTACT
- Screw termination type: with wire protection

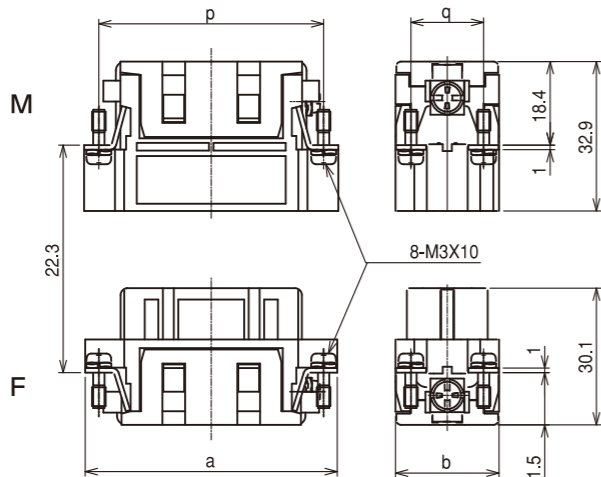
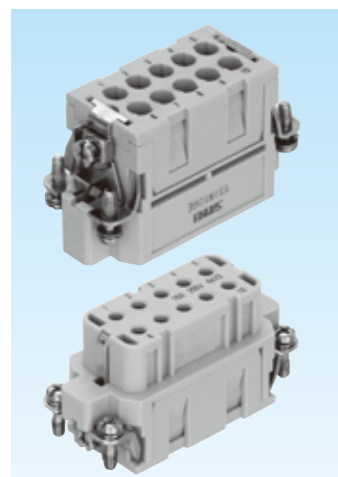
SCREW TERMINATION



DATA / TECHNICAL CHARACTERISTICS

RATED CURRENT	16A
RATED VOLTAGE	UL/CSA 600V DIN/EN (Pollution Degree 3) 250V
DIELECTRIC VOLTAGE-WITHSTAND	2.21KV
INSULATION RESISTANCE	10 ¹⁰ Ω or more
CONTACT RESISTANCE	1mΩ or less
LIMITING TEMPERATURE	-40~+125°C
MATERIAL	PC
CONTACT	Included/CC2.5 ^(Separately available)
TERMINATION TYPE	Screw termination type/ Crimp termination type
CONDUCTOR NOMINAL CROSS SECTIONAL AREA (Screw termination)	1~2.5mm ²
CONDUCTOR NOMINAL CROSS SECTIONAL AREA (Crimp termination)	0.5~4mm ²
GUIDE PIN, GUIDE BUSH	SCPA448/449

CRIMP TERMINATION



[SCREW TERMINATION]

DELIVERY	ITEM NO.	MALE/FEMALE	NUMBER OF CONTACTS	SIZE	SIZE OF CONNECTABLE HOOD·HOUSING	a	b	p	q	WEIGHT (g/PC)	QTY/PACKAGE
⊕	YSIMB10ZE	Male	10 + ⊕	10A	10A	56	23	49.5	16	46	1
⊖	YSIFB10ZE	Female								47	1
⊕	YSIMB16ZE	Male	16 + ⊕	16A	16A	72.4	23	66	16	63	1
⊖	YSIFB16ZE	Female								65	1
⊕	YSIMB32ZE	Male	32 + ⊕	32A	32A	32ZE consists of 2 pieces of YSI ZE B16ZE				126	2
⊖	YSIFB32ZE	Female								130	2

[CRIMP TERMINATION]

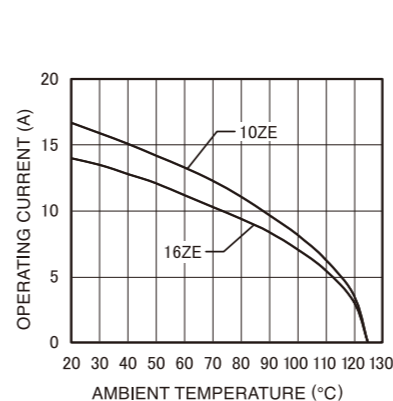
DELIVERY	ITEM NO.	MALE/FEMALE	NUMBER OF CONTACTS	SIZE	SIZE OF CONNECTABLE HOOD·HOUSING	a	b	p	q	WEIGHT (g/PC)	QTY/PACKAGE
—	YSIM10ZE	Male	10 + ⊕	10A	10A						
—	YSIF10ZE	Female									
—	YSIM16ZE	Male	16 + ⊕	16A	16A						
—	YSIF16ZE	Female									
—	YSIM32ZE	Male	32 + ⊕	32A	32A	32ZE consists of 2 pieces of YSI ZE B16ZE					
—	YSIF32ZE	Female									

10 + ⊕, 16 + ⊕, 32 + ⊕

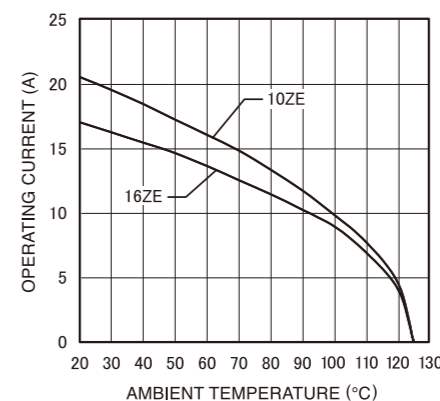
SERIES YSI ZE 600V 10A SCREW TERMINATION/CRIMP TERMINATION

Ambient temperature, Operating current

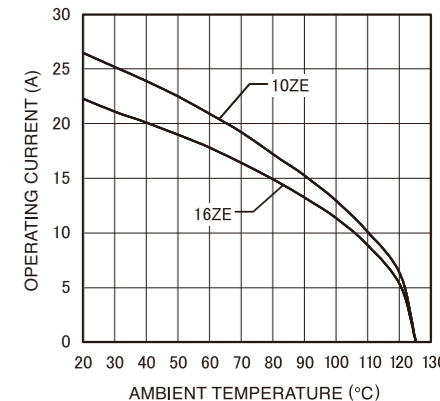
- There is the interrelationship between Operating current and Ambient temperature



Conductor nominal cross sectional area 1.0mm²



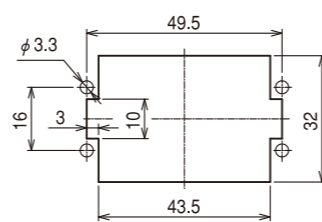
Conductor nominal cross sectional area 1.5mm²



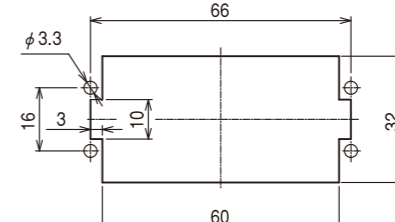
Conductor nominal cross sectional area 2.5mm²

Panel cut out

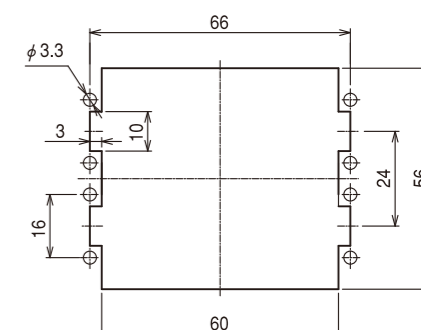
- The drawing shows the panel cut size when INSERT shall be attached to the panel without HOOD, HOUSING
- INSERT shall be attached to the front surface of the panel



10ZE



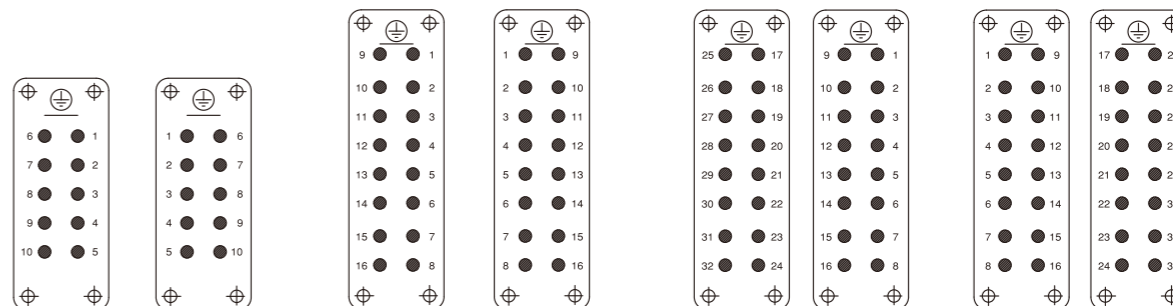
16ZE



32ZE

Contact arrangement

- Contact arrangement: View from termination side



M

F

M

F

M

F

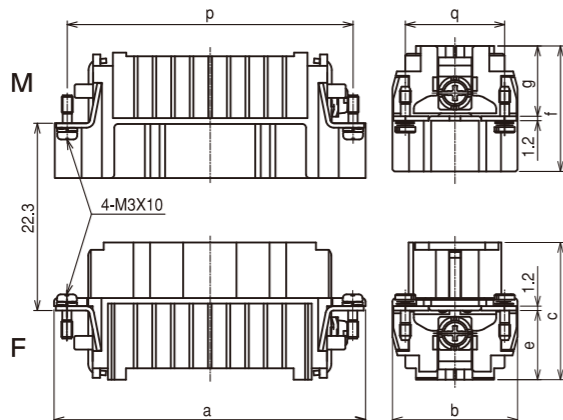
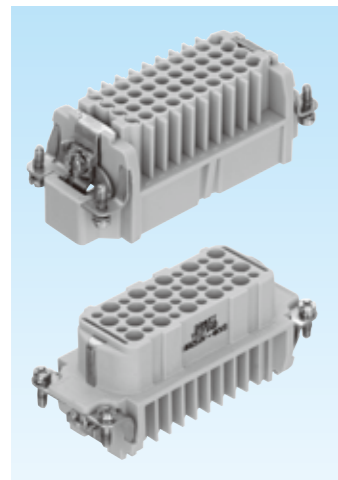
40 + ⊕, 64 + ⊕, 80 + ⊕, 128 + ⊕

SERIES YSI※D

600V 10A

CRIMP TERMINATION

- STYLE B
- Density of crimping contacts: Regular



DATA / TECHNICAL CHARACTERISTICS

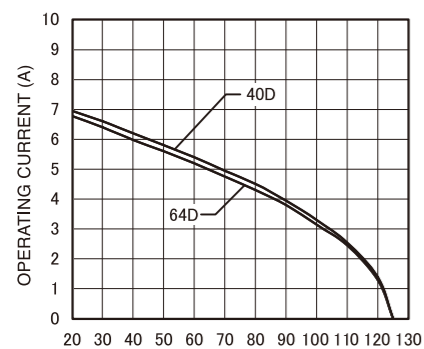
RATED CURRENT	10A	
RATED VOLTAGE	UL/CSA	600V
	DIN/EN	250V
	(Pollution Degree 3)	
DIELECTRIC VOLTAGE-WITHSTAND	2.21KV	
INSULATION RESISTANCE	10 ¹⁰ Ω or more	
CONTACT RESISTANCE	3mΩ or less	
LIMITING TEMPERATURE	-40~+125°C	
MATERIAL	PC	
CONTACT	CC1.6 (Separately available)	
TERMINATION TYPE	Crimp termination type	
CONDUCTOR NOMINAL CROSS SECTIONAL AREA	0.14~2.5mm ²	
GUIDE PIN, GUIDE BUSH	SCPA448/449	
CODING PIN	SCPA450	

[CRIMP TERMINATION]

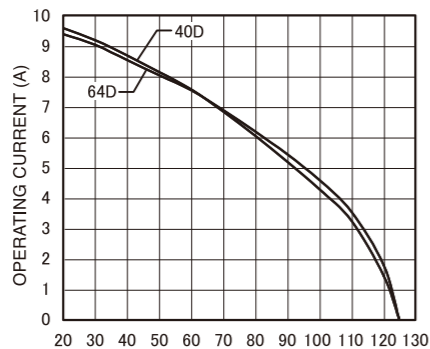
DELIVERY	ITEM NO.	MALE/FEMALE	NUMBER OF CONTACTS	SIZE	SIZE OF CONNECTABLE HOOD-HOUSING	a	b	c	e	f	g	p	q	WEIGHT (g/PC)	QTY/PACKAGE
-	YSIM40D	Male	40 + ⊕	16B	16B										
-	YSIF40D	Female													
-	YSIM64D	Male	64 + ⊕	24B	24B										
-	YSIF64D	Female													
-	YSIM80D	Male	80 + ⊕	32B	32B	80D consists of 2 pieces of YSI※40D									
-	YSIF80D	Female													
-	YSIM128D	Male	128 + ⊕	48B	48B	128D consists of 2 pieces of YSI※64D									
-	YSIF128D	Female													

Ambient temperature, Operating current

- There is the interrelationship between Operating current and Ambient temperature



Conductor nominal cross sectional area 0.75mm²



Conductor nominal cross sectional area 1.5mm²

40 + ⊕, 64 + ⊕, 80 + ⊕, 128 + ⊕

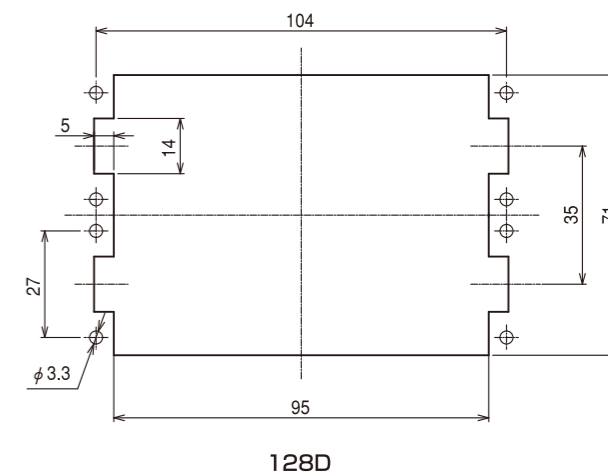
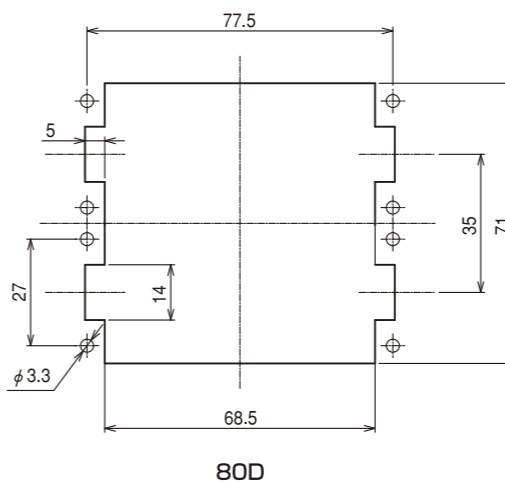
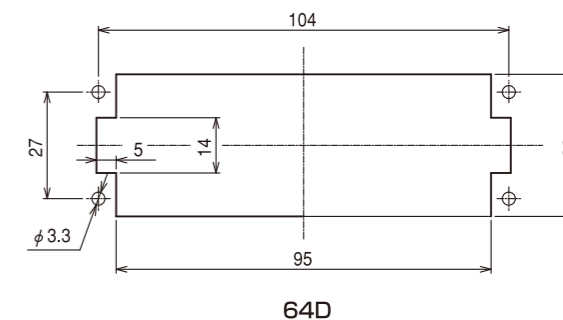
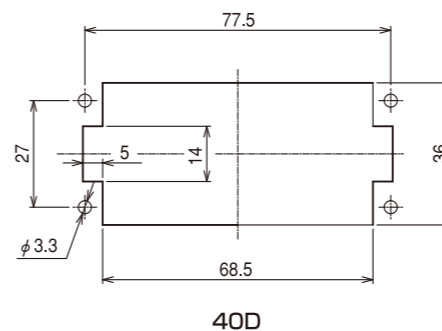
SERIES YSI※D

600V 10A

CRIMP TERMINATION

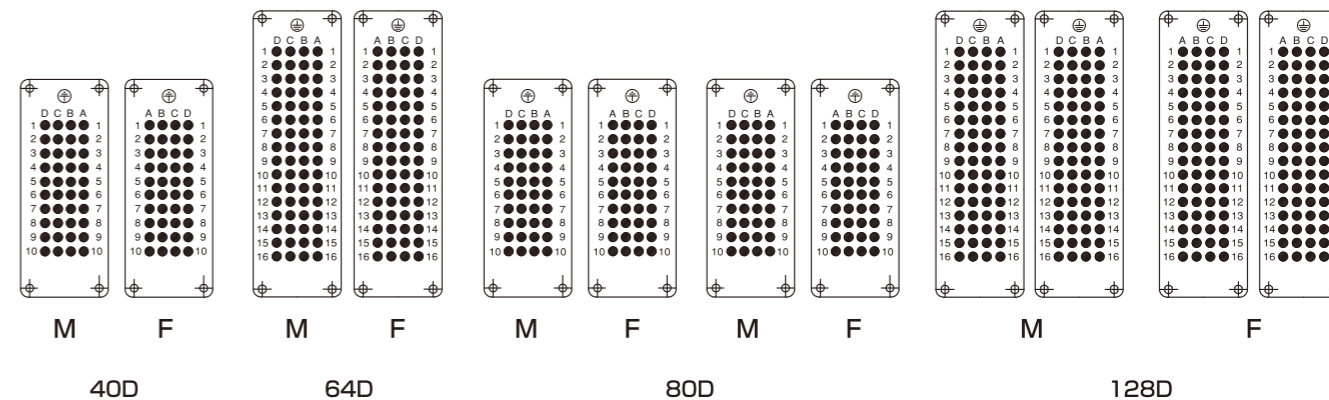
Panel cut out

- The drawing shows the panel cut size when INSERT shall be attached to the panel without HOOD, HOUSING
- INSERT shall be attached to the front surface of the panel



Contact arrangement

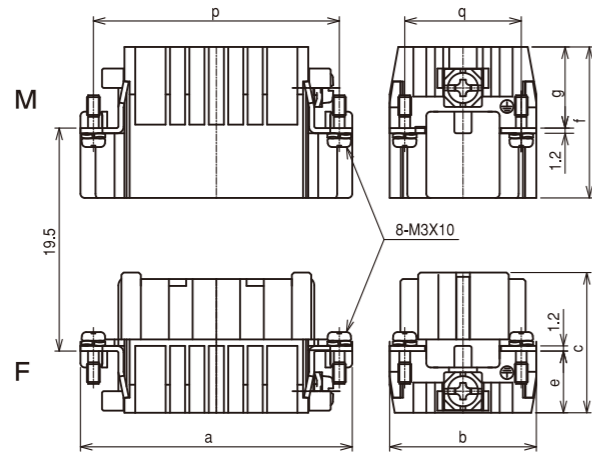
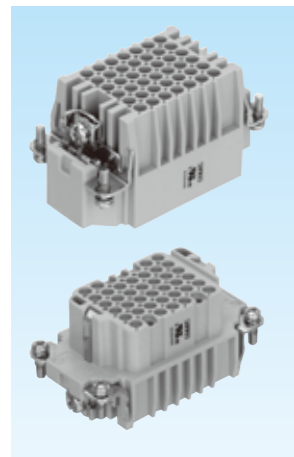
- Contact arrangement: View from termination side



15 + ⊕, 24 + ⊕, 42 + ⊕, 72 + ⊕, 108 + ⊕, 144 + ⊕, 216 + ⊕

SERIES YSI※DD 600V 10A CRIMP TERMINATION

- STYLE B
- Density of crimping contacts: High



DATA / TECHNICAL CHARACTERISTICS

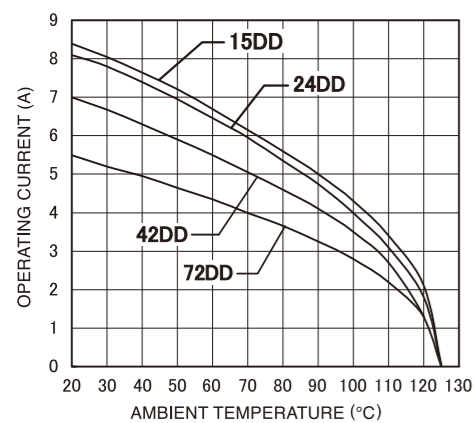
RATED CURRENT	10A	
RATED VOLTAGE	UL/CSA	600V
	DIN/EN (Pollution Degree 3)	250V
DIELECTRIC VOLTAGE-WITHSTAND	2.21KV	
INSULATION RESISTANCE	10 ¹⁰ Ω or more	
CONTACT RESISTANCE	3mΩ or less	
LIMITING TEMPERATURE	-40~+125°C	
MATERIAL	PC	
CONTACT	CC1.6 (Separately available)	
TERMINATION TYPE	Crimp termination type	
CONDUCTOR NOMINAL CROSS SECTIONAL AREA	0.14~2.5mm ²	
GUIDE PIN, GUIDE BUSH	SCPA448/449	
CODING PIN	SCPA450	

[CRIMP TERMINATION]

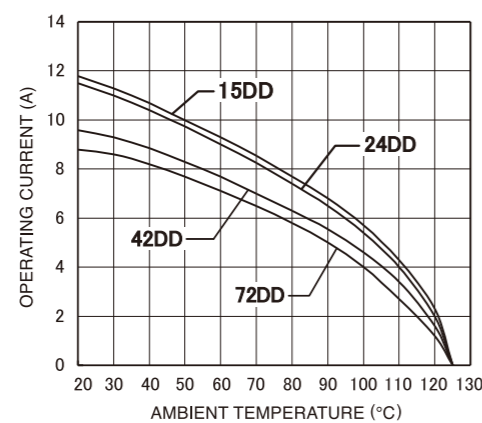
DELIVERY	ITEM NO.	MALE/FEMALE	NUMBER OF CONTACTS	SIZE	SIZE OF CONNECTABLE HOOD-HOUSING	a	b	c	e	f	g	p	q	WEIGHT (g/PC)	QTY/PACKAGE
○	YSIM15DD	Male	15 + ⊕	3B	3B	50	22	33	14	35	19	44	16	29	1
○	YSIF15DD	Female												26	1
○	YSIM24DD	Male	24 + ⊕	6B	6B	50	34	33	14	35	19	44	27	45	1
○	YSIF24DD	Female												43	1
○	YSIM42DD	Male	42 + ⊕	10B	10B	63	34	33	14	35	19	57	27	53	1
○	YSIF42DD	Female												54	1
○	YSIM72DD	Male	72 + ⊕	16B	16B	84	34	33	14	35	19	78	27	67	1
○	YSIF72DD	Female												68	1
—	YSIM108DD	Male	108 + ⊕	24B	24B										
—	YSIF108DD	Female													
○	YSIM144DD	Male	144 + ⊕	32B	32B	144DD consists of 2 pieces of YSI※72DD								134	2
○	YSIF144DD	Female												136	2
—	YSIM216DD	Male	216 + ⊕	48B	48B	216DD consists of 2 pieces of YSI※108DD									
—	YSIF216DD	Female													

Ambient temperature, Operating current

- There is the interrelationship between Operating current and Ambient temperature



Conductor nominal cross sectional area 0.75mm²



Conductor nominal cross sectional area 1.5mm²

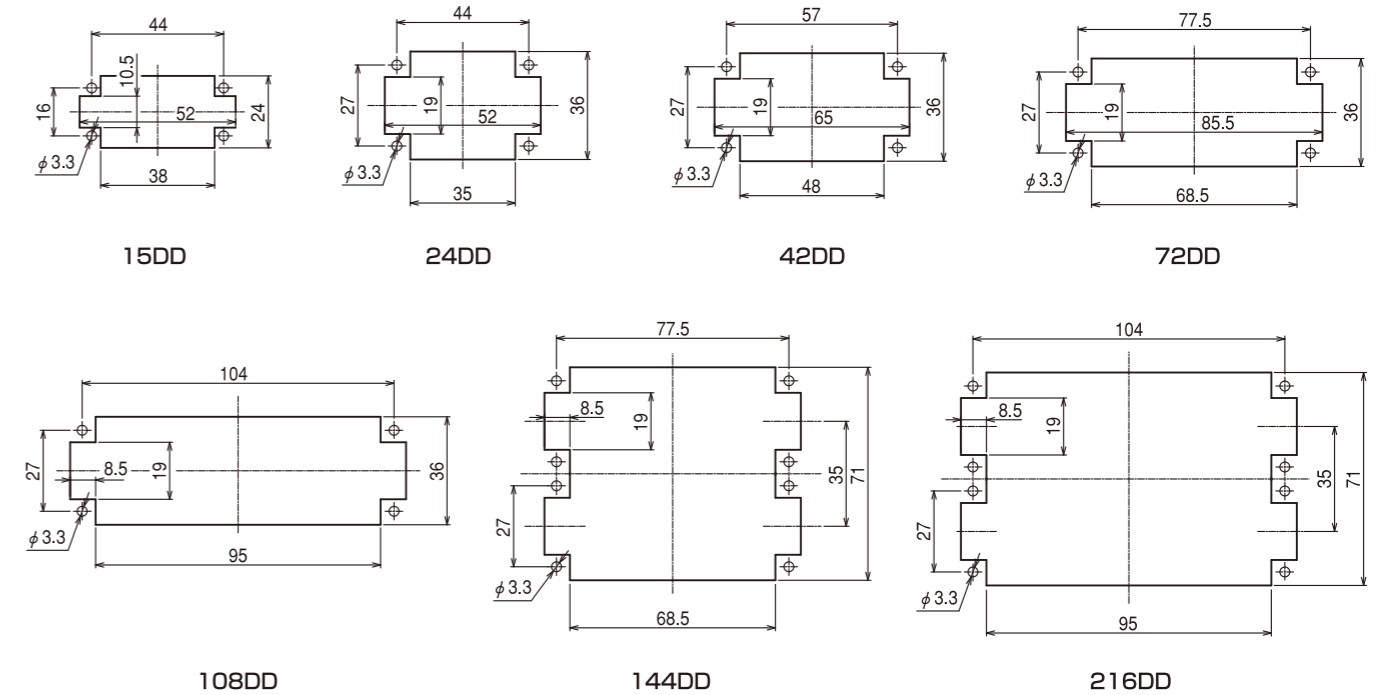
Contact us for information of product availability and delivery

15 + ⊕, 24 + ⊕, 42 + ⊕, 72 + ⊕, 108 + ⊕, 144 + ⊕, 216 + ⊕

SERIES YSI※DD 600V 10A CRIMP TERMINATION

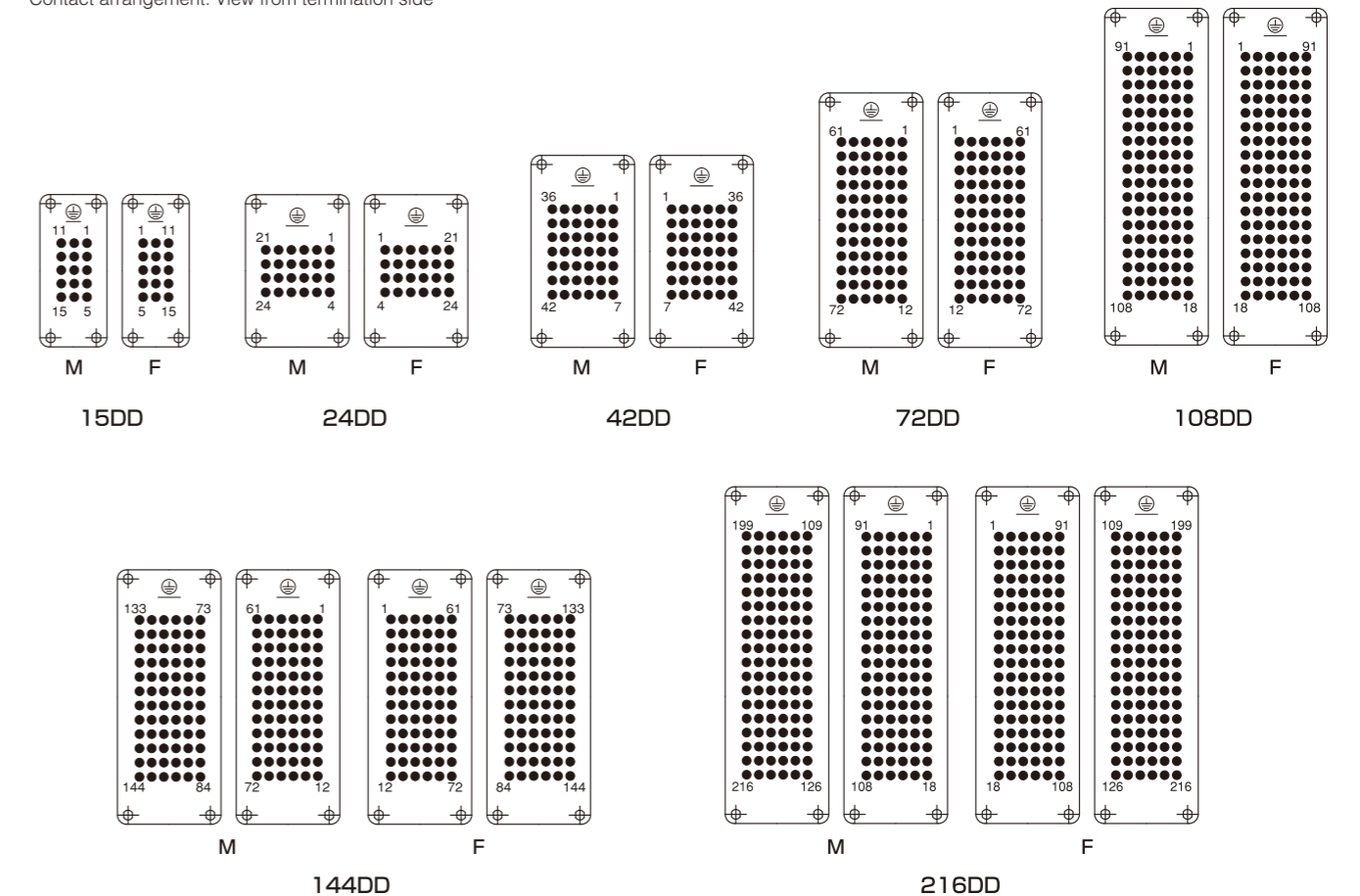
Panel cut out

- The drawing shows the panel cut size when INSERT shall be attached to the panel without HOOD, HOUSING
- INSERT shall be attached to the front surface of the panel



Contact arrangement

- Contact arrangement: View from termination side



6 + ⊕, 10 + ⊕, 16 + ⊕, 24 + ⊕, 32 + ⊕, 48 + ⊕

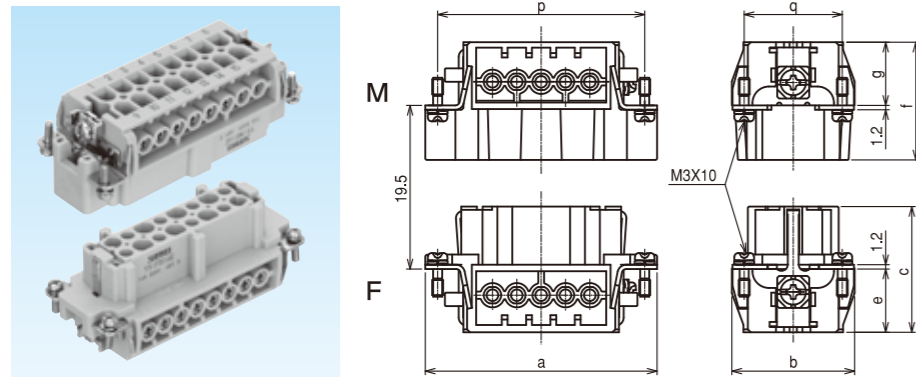
SERIES YSI※E 600V 16A SCREW TERMINATION/CRIMP TERMINATION

- STYLE B
- Density of crimping contacts: Regular
- Crimp termination type: CONTACT is separately available
- Screw termination type: With CONTACT
- RELAY CONTACT can be inserted
- Screw termination type : with wire protection

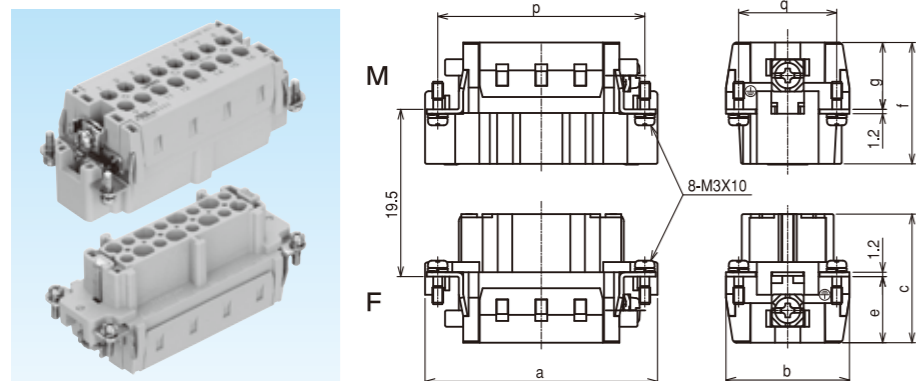
DATA / TECHNICAL CHARACTERISTICS

RATED CURRENT	16A	
RATED VOLTAGE	UL/CSA	600V
	DIN/EN (Pollution Degree 3)	500V
DIELECTRIC VOLTAGE-WITHSTAND	3.31KV	
INSULATION RESISTANCE	10 ¹⁰ Ω or more	
CONTACT RESISTANCE	1mΩ or less	
LIMITING TEMPERATURE	-40~+125°C	
MATERIAL	PC	
CONTACT	Included/CC2.5 (Separately available)	
TERMINATION TYPE	Screw termination type/Crimp termination type	
CONDUCTOR NOMINAL CROSS SECTIONAL AREA (Screw termination)	1.0~2.5mm ²	
CONDUCTOR NOMINAL CROSS SECTIONAL AREA (Crimp termination)	0.5~4.0mm ²	
GUIDE PIN, GUIDE BUSH	SCPA448/449	
CODING PIN	SCPA453	

SCREW TERMINATION



CRIMP TERMINATION



[SCREW TERMINATION]

DELIVERY	ITEM NO.	MALE/FEMALE	NUMBER OF CONTACTS	SIZE	SIZE OF CONNECTABLE HOOD·HOUSING	a	b	c	e	f	g	p	q	WEIGHT (g/PC)	QTY/PACKAGE
⊙	YSIMB6E	Male	6 + ⊕	6B	6B	51	34	35	18	33	18	44	27	47	1
⊙	YSIFB6E	Female												48	1
⊙	YSIMB10E	Male	10 + ⊕	10B	10B	64	34	35	18	33	18	57	27	59	1
⊙	YSIFB10E	Female												62	1
⊙	YSIMB16E	Male	16 + ⊕	16B	16B	84.5	34	33.1	15.4	30.4	15.4	77.5	27	79	1
⊙	YSIFB16E	Female												82	1
⊙	YSIMB24E	Male	24 + ⊕	24B	24B	111	34	35	18	33	18	104	27	111	1
⊙	YSIFB24E	Female												119	1
⊙	YSIMB32E	Male	32 + ⊕	32B	32B	32E consists of 2 pieces of YSI※B16E							158	2	
⊙	YSIFB32E	Female				164	2								
⊙	YSIMB48E	Male	48 + ⊕	48B	48B	48E consists of 2 pieces of YSI※B24E							222	2	
⊙	YSIFB48E	Female				238	2								

[CRIMP TERMINATION]

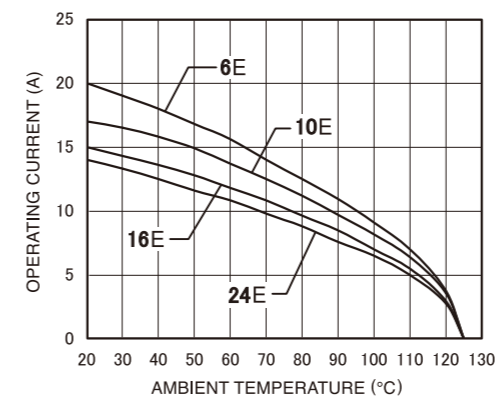
DELIVERY	ITEM NO.	MALE/FEMALE	NUMBER OF CONTACTS	SIZE	SIZE OF CONNECTABLE HOOD·HOUSING	a	b	c	e	f	g	p	q	WEIGHT (g/PC)	QTY/PACKAGE
⊙	YSIM6E	Male	6 + ⊕	6B	6B	51	34	36	18	34	18	44	27	21	1
⊙	YSIF6E	Female												23	1
⊙	YSIM10E	Male	10 + ⊕	10B	10B	64	34	36	18	34	18	57	27	28	1
⊙	YSIF10E	Female												32	1
⊙	YSIM16E	Male	16 + ⊕	16B	16B	84.5	34	36	18	34	18	77.5	27	55	1
⊙	YSIF16E	Female												59	1
⊙	YSIM24E	Male	24 + ⊕	24B	24B	111	34	36	18	34	18	104	27	71	1
⊙	YSIF24E	Female												79	1
⊙	YSIM32E	Male	32 + ⊕	32B	32B	32E consists of 2 pieces of YSI※16E							110	2	
⊙	YSIF32E	Female				118	2								
⊙	YSIM48E	Male	48 + ⊕	48B	48B	48E consists of 2 pieces of YSI※24E							142	2	
⊙	YSIF48E	Female				158	2								

6 + ⊕, 10 + ⊕, 16 + ⊕, 24 + ⊕, 32 + ⊕, 48 + ⊕

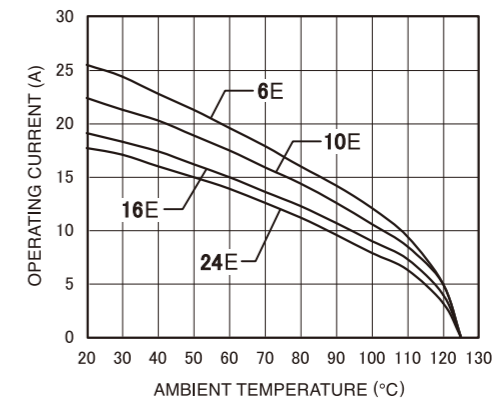
SERIES YSI※E 600V 16A SCREW TERMINATION/CRIMP TERMINATION

Ambient temperature, Operating current

• There is the interrelationship between Operating current and Ambient temperature



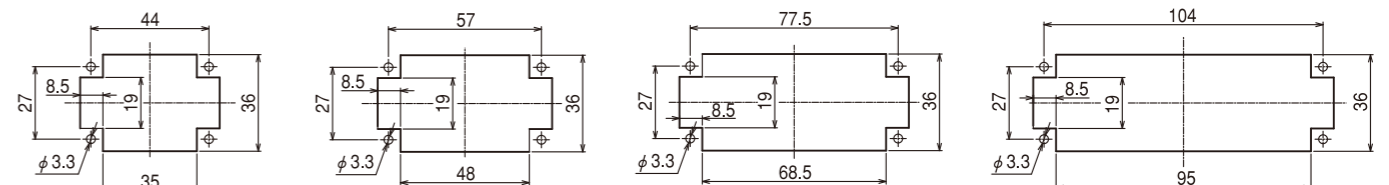
Conductor nominal cross sectional area 1.5mm²



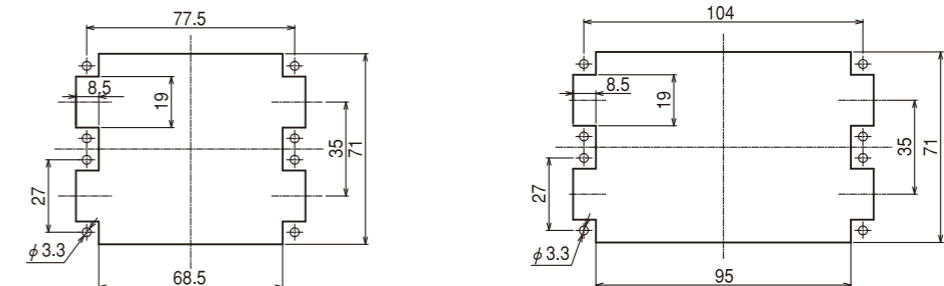
Conductor nominal cross sectional area 2.5mm²

Panel cut out

• The drawing shows the panel cut size when INSERT shall be attached to the panel without HOOD, HOUSING
 • INSERT shall be attached to the front surface of the panel



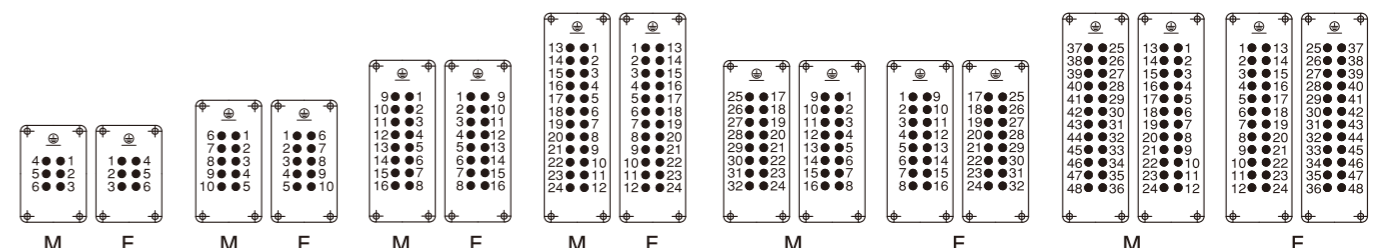
6E 10E 16E 24E



32E 48E

Contact arrangement

• Contact arrangement: View from termination side

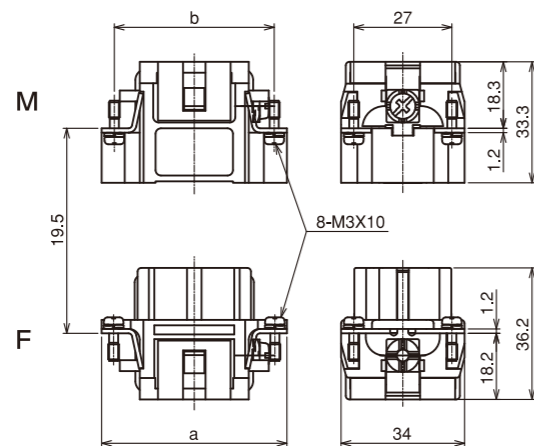
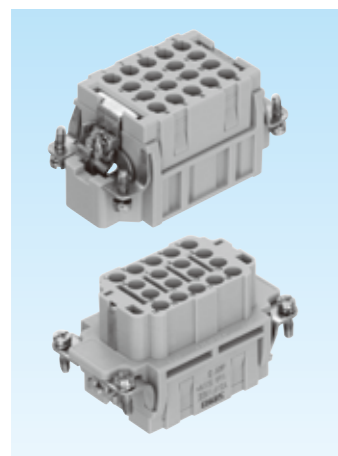


6E 10E 16E 24E 32E 48E

10 + ⊕, 18 + ⊕, 32 + ⊕, 46 + ⊕, 64 + ⊕, 92 + ⊕

SERIES YSI※EE 600V 16A CRIMP TERMINATION

- STYLE B
- Density of crimping contacts: High



DATA / TECHNICAL CHARACTERISTICS

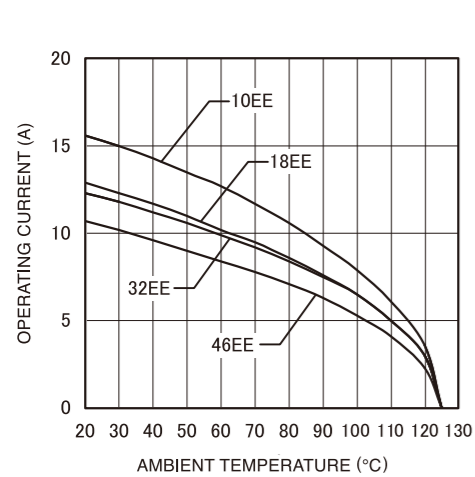
RATED CURRENT	16A	
RATED VOLTAGE	UL/CSA	600V
	DIN/VEN (Pollution Degree 3)	500V
DIELECTRIC VOLTAGE-WITHSTAND	3.31KV	
INSULATION RESISTANCE	10 ¹⁰ Ω or more	
CONTACT RESISTANCE	1mΩ or less	
LIMITING TEMPERATURE	-40~+125°C	
MATERIAL	PC	
CONTACT	CC2.5 (Separately available)	
TERMINATION TYPE	Crimp termination type	
CONDUCTOR NOMINAL CROSS SECTIONAL AREA	0.5~4mm ²	
GUIDE PIN, GUIDE BUSH	SCPA448/449	
CODING PIN	SCPA453	

[CRIMP TERMINATION]

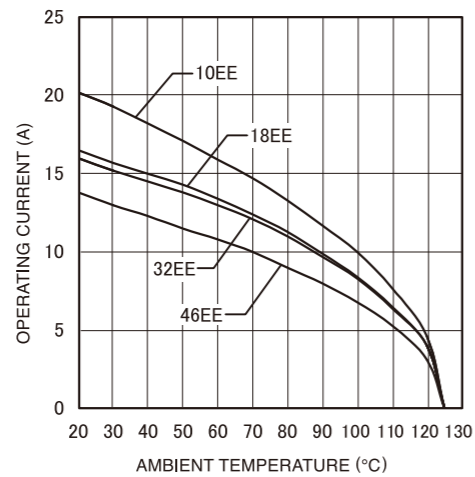
DELIVERY	ITEM NO.	MALE/FEMALE	NUMBER OF CONTACTS	SIZE	SIZE OF CONNECTABLE HOOD/HOUSING	a	b	WEIGHT (g/PC)	QTY/PACKAGE
—	YSIM10EE	Male	10 + ⊕	6B	6B				
—	YSIF10EE	Female							
—	YSIM18EE	Male	18 + ⊕	10B	10B				
—	YSIF18EE	Female							
⊙	YSIM32EE	Male	32 + ⊕	16B	16B	84.5	77.5	47	1
⊙	YSIF32EE	Female						48	1
—	YSIM46EE	Male	46 + ⊕	24B	24B				
—	YSIF46EE	Female							
③	YSIM64EE	Male	64 + ⊕	32B	32B	64EE consists of 2 pieces of YSI※32EE		94	1
③	YSIF64EE	Female						96	1
—	YSIM92EE	Male	92 + ⊕	48B	48B	46EE consists of 2 pieces of YSI※92EE			
—	YSIF92EE	Female							

Ambient temperature, Operating current

- There is the interrelationship between Operating current and Ambient temperature



Conductor nominal cross sectional area 1.5mm²



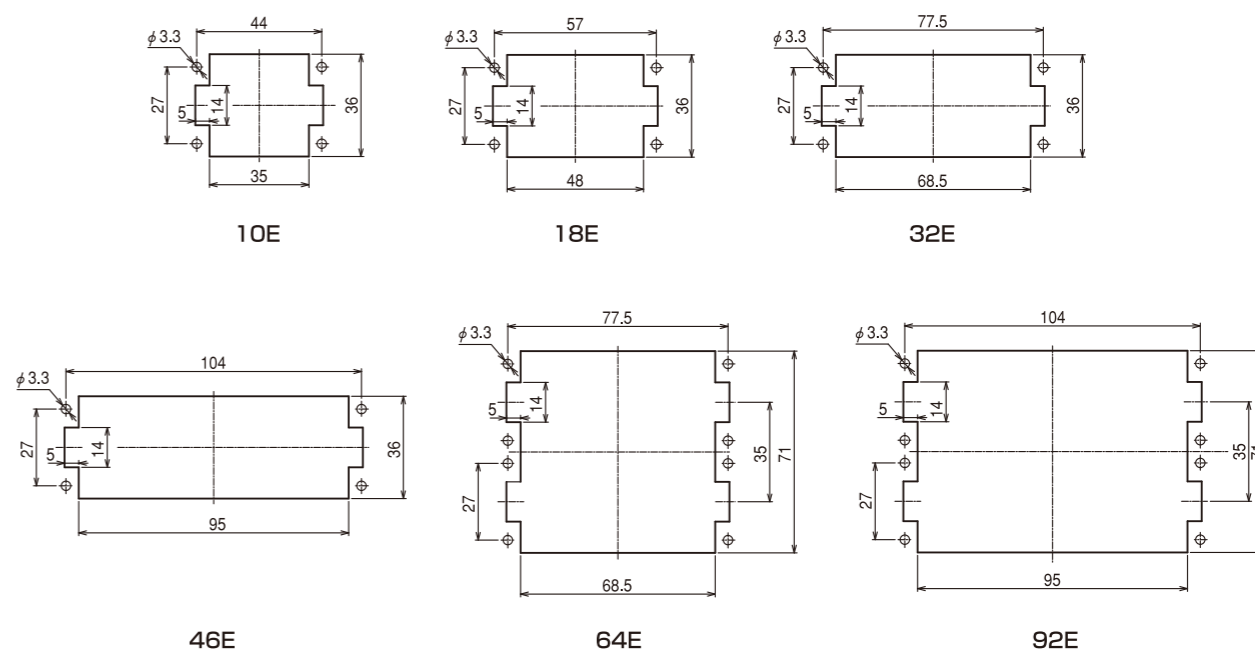
Conductor nominal cross sectional area 2.5mm²

10 + ⊕, 18 + ⊕, 32 + ⊕, 46 + ⊕, 64 + ⊕, 92 + ⊕

SERIES YSI※EE 600V 16A CRIMP TERMINATION

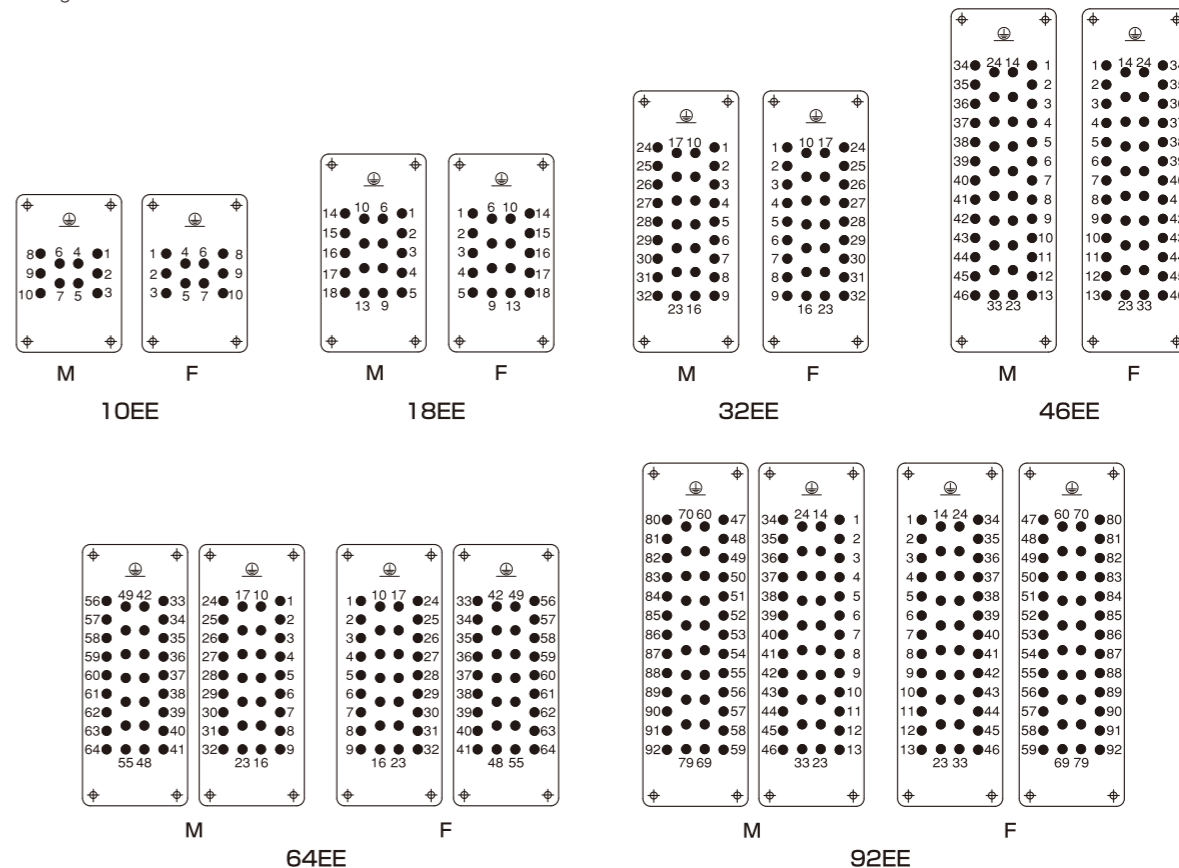
Panel cut out

- The drawing shows the panel cut size when INSERT shall be attached to the panel without HOOD, HOUSING
- INSERT shall be attached to the front surface of the panel



Contact arrangement

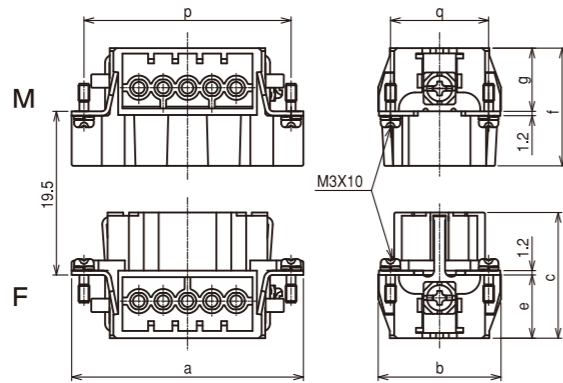
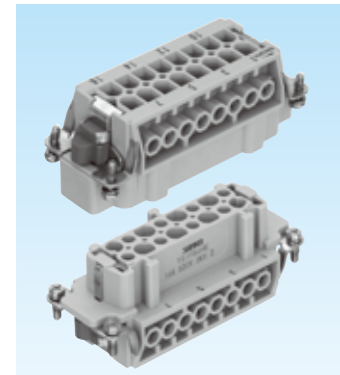
- Contact arrangement: View from termination side



3 + ⊕, 6 + ⊕, 10 + ⊕, 12 + ⊕, 16 + ⊕, 20 + ⊕, 32 + ⊕

SERIES YSI※HE 600V/830V 16A SCREW TERMINATION/CRIMP TERMINATION

SCREW TERMINATION



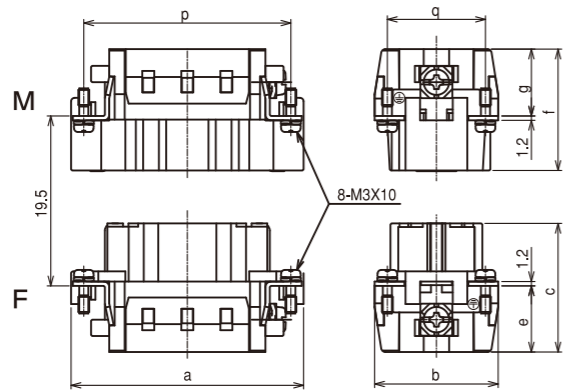
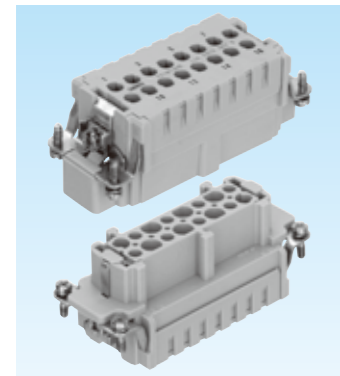
- STYLE B
- Developed by thinning out contacts of YSI※E
- Designed for high rated voltage requirement
- Crimp termination type: CONTACT is separately available
- Screw termination type: With CONTACT
- CONTACT insertion for Crimp termination type: Refer to the contact arrangement

DATA / TECHNICAL CHARACTERISTICS

RATED CURRENT	16A
RATED VOLTAGE	600V
UL/CSA	※1 830V
DIN/VEN (Pollution Degree 3)	※2 400V/690V
DIELECTRIC VOLTAGE-WITHSTAND	※1 4.26KV
	※2 3.31KV
INSULATION RESISTANCE	10 ¹⁰ Ω or more
CONTACT RESISTANCE	1mΩ or less
LIMITING TEMPERATURE	-40~+125°C
MATERIAL	PC
CONTACT	Included/CC2.5 (Separately available)
TERMINATION TYPE (Relay)	Crimp termination type
CONDUCTOR NOMINAL CROSS SECTIONAL AREA (Screw termination)	1.0~2.5mm ²
CONDUCTOR NOMINAL CROSS SECTIONAL AREA (Crimp termination)	0.5~4.0mm ²
RELAY CONTACT	To be used for Relay of CC2.5 (Separately available)
NOMINAL CROSS SECTIONAL AREA (for Relay)	0.75~2.5mm ²
GUIDE PIN, GUIDE BUSH	SCPA448/449

※1 : applies to the number of contact 3,6,10,12,20
 ※2 : applies to the number of contact 16,32

CRIMP TERMINATION



[SCREW TERMINATION]

DELIVERY	ITEM NO.	MALE/FEMALE	NUMBER OF CONTACTS	SIZE	SIZE OF CONNECTABLE HOOD·HOUSING	a	b	c	e	f	g	p	q	WEIGHT (g/PC)	QTY/PACKAGE
☆	YSIMB3HE	Male	3 + ⊕	10B	10B										
☆	YSIFB3HE	Female													
☆	YSIMB6HE	Male	6 + ⊕	16B	16B										
☆	YSIFB6HE	Female													
☆	YSIMB10HE	Male	10 + ⊕	24B	24B										
☆	YSIFB10HE	Female													
☆	YSIMB12HE	Male	12 + ⊕	32B	32B	12HE consists of 2 pieces of YSI※B6HE									
☆	YSIFB12HE	Female													
☆	YSIMB16HE	Male	16 + ⊕	24B	24B										
☆	YSIFB16HE	Female													
☆	YSIMB20HE	Male	20 + ⊕	48B	48B	20HE consists of 2 pieces of YSI※B10HE									
☆	YSIFB20HE	Female													
☆	YSIMB32HE	Male	32 + ⊕	48B	48B	32HE consists of 2 pieces of YSI※B16HE									
☆	YSIFB32HE	Female													

[CRIMP TERMINATION]

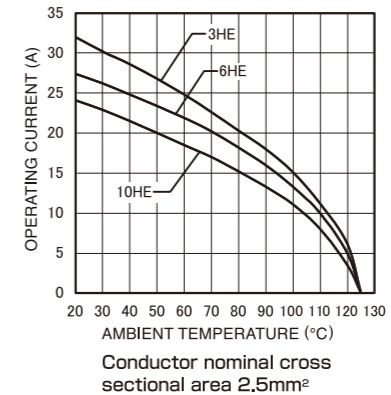
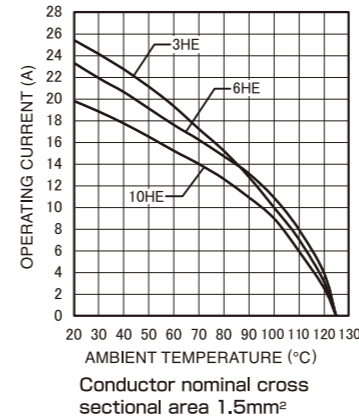
DELIVERY	ITEM NO.	MALE/FEMALE	NUMBER OF CONTACTS	SIZE	SIZE OF CONNECTABLE HOOD·HOUSING	a	b	c	e	f	g	p	q	WEIGHT (g/PC)	QTY/PACKAGE
☆	YSIM3HE	Male	3 + ⊕	10B	10B										
☆	YSIF3HE	Female													
☆	YSIM6HE	Male	6 + ⊕	16B	16B										
☆	YSIF6HE	Female													
☆	YSIM10HE	Male	10 + ⊕	24B	24B										
☆	YSIF10HE	Female													
☆	YSIM12HE	Male	12 + ⊕	32B	32B	12HE consists of 2 pieces of YSI※6HE									
☆	YSIF12HE	Female													
☆	YSIM20HE	Male	20 + ⊕	48B	48B	20HE consists of 2 pieces of YSI※10HE									
☆	YSIF20HE	Female													

3 + ⊕, 6 + ⊕, 10 + ⊕, 12 + ⊕, 16 + ⊕, 20 + ⊕, 32 + ⊕

SERIES YSI※HE 600V/830V 16A SCREW TERMINATION/CRIMP TERMINATION

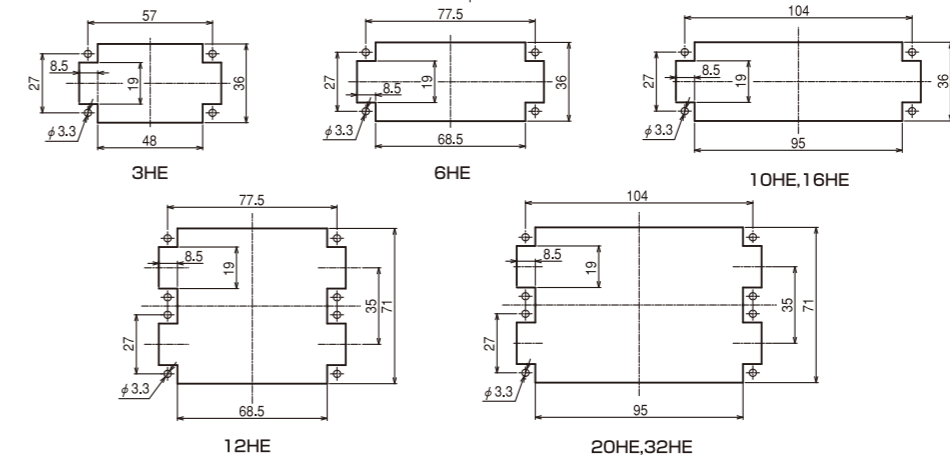
Ambient temperature, Operating current

- There is the interrelationship between Operating current and Ambient temperature



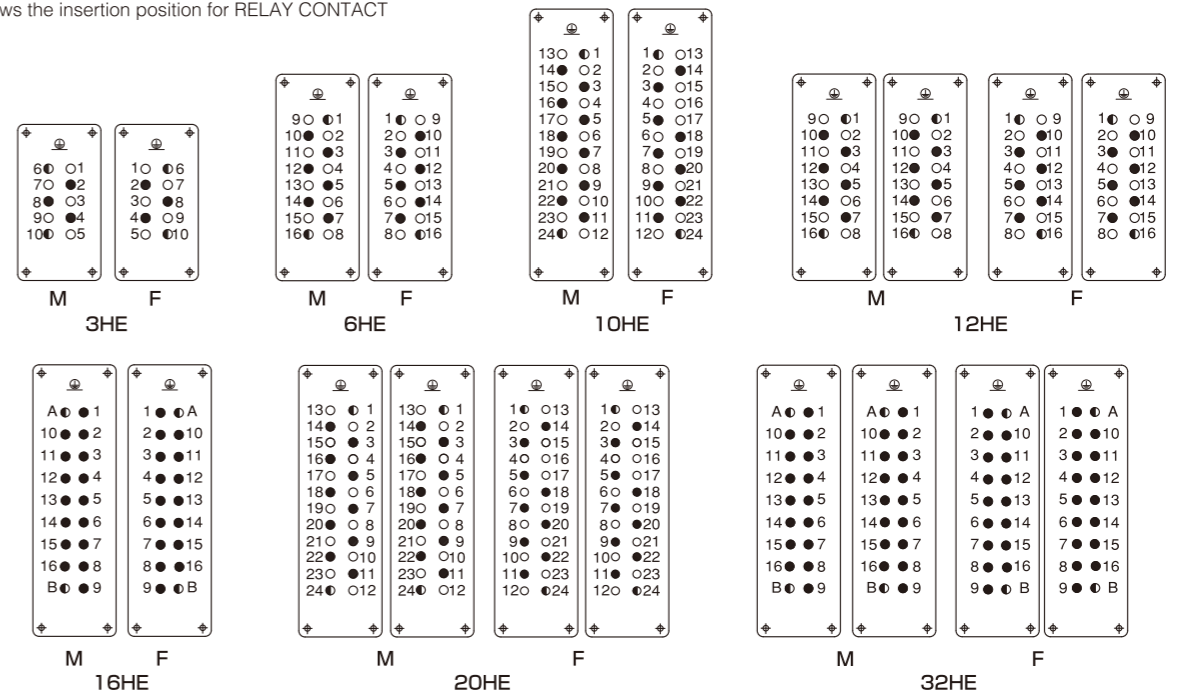
Panel cut out

- The drawing shows the panel cut size when INSERT shall be attached to the panel without HOOD, HOUSING
- INSERT shall be attached to the front surface of the panel



Contact arrangement

- Contact arrangement: View from termination side
- ● shows the insertion position for CONTACT
- ⊕ shows the insertion position for RELAY CONTACT

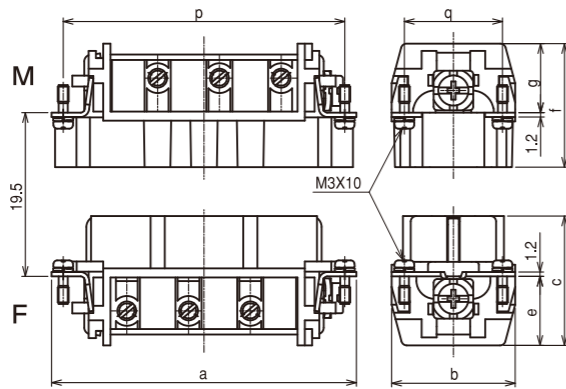
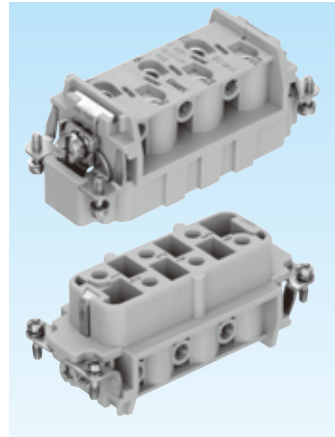


6 + ⊕, 12 + ⊕

SERIES YSI※SB 600V 35A SCREW TERMINATION

- STYLE B
- Designed only for 4 to 6 mm² conductor nominal cross sectional area

- Screw termination type
- with wire protection



DATA / TECHNICAL CHARACTERISTICS

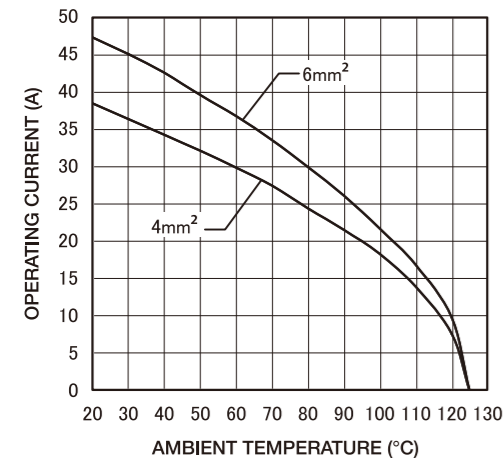
RATED CURRENT	35A
RATED VOLTAGE	600V
UL/CSA	600V
DIN/EN (Pollution Degree 3)	400V/690V
DIELECTRIC VOLTAGE-WITHSTAND	3.31KV
INSULATION RESISTANCE	10 ¹⁰ Ω or more
CONTACT RESISTANCE	1mΩ or less
LIMITING TEMPERATURE	-40~+125°C
MATERIAL	PC
CONTACT	Included
TERMINATION TYPE	Screw termination type
CONDUCTOR NOMINAL CROSS SECTIONAL AREA	4~6mm ²
GUIDE PIN, GUIDE BUSH	SCPA448/449

[SCREW TERMINATION]

DELIVERY	ITEM NO.	MALE/FEMALE	NUMBER OF CONTACTS	SIZE	SIZE OF CONNECTABLE HOOD-HOUSING	a	b	c	e	f	g	p	q	WEIGHT (g/PC)	QTY/PACKAGE
⊙	YSIMB6SB	Male	6 + ⊕	16B	16B	84.5	34	33	16.5	34	19	77.5	27	79	1
⊙	YSIFB6SB	Female												84	1
⊙	YSIMB12SB	Male	12 + ⊕	32B	32B	12SB consists of 2 pieces of YSI※B6SB								158	2
⊙	YSIFB12SB	Female												168	2

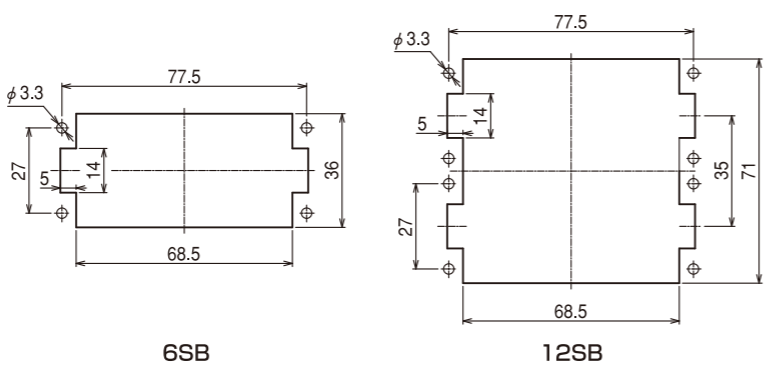
Ambient temperature, Operating current

- There is the interrelationship between Operating current and Ambient temperature



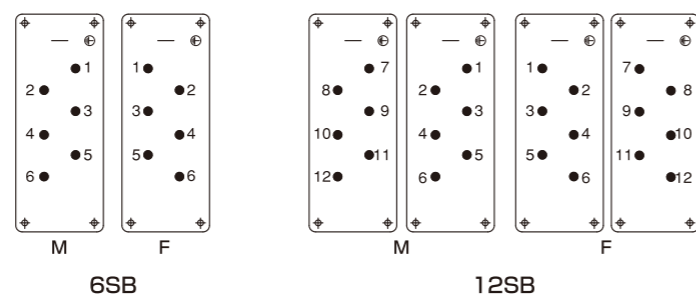
Panel cut out

- The drawing shows the panel cut size when INSERT shall be attached to the panel without HOOD, HOUSING
- INSERT shall be attached to the front surface of the panel



Contact arrangement

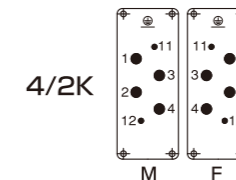
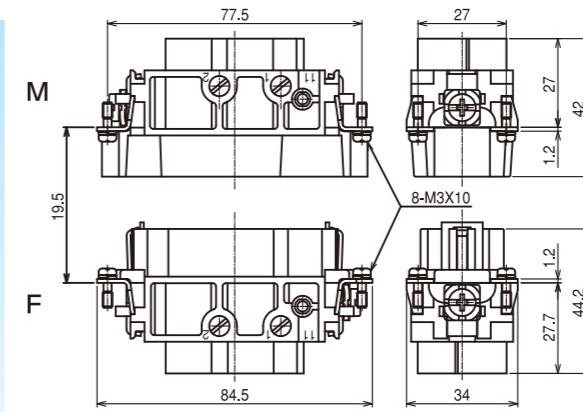
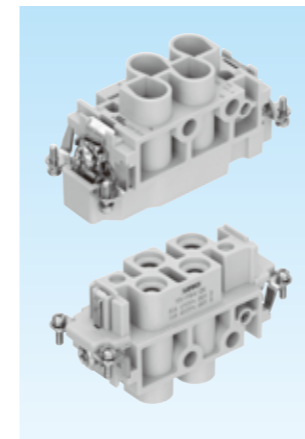
- Contact arrangement: View from termination side



4/0 + ⊕, 4/2 + ⊕

SERIES YSI※K 600V 80A/16A SIZE 16B SCREW TERMINATION

- STYLE B
- Combination of POWER CONTACT, SIGNAL CONTACT
- Screw termination type
- Contact arrangement: View from termination side
- Suitable terminal for 80A contact: Ferrule



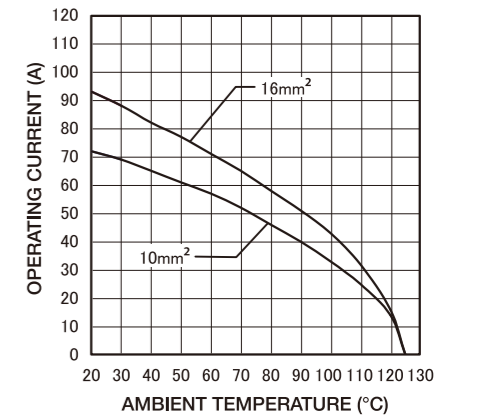
[SCREW TERMINATION]

DELIVERY	ITEM NO.	MALE/FEMALE	NUMBER OF CONTACTS	SIZE	SIZE OF CONNECTABLE HOOD-HOUSING	WEIGHT (g/PC)	QTY/PACKAGE
⊙	YSIMB4/0K	Male	4 + ⊕	16B	16B	104	1
⊙	YSIFB4/0K	Female				104	1
⊙	YSIMB4/2K	Male	4 + ⊕	16B	16B	108	1
⊙	YSIFB4/2K	Female	2 + ⊕			108	1

DATA / TECHNICAL CHARACTERISTICS

RATED CURRENT	80A/16A
RATED VOLTAGE	600V
UL/CSA	600V
DIN/EN (Pollution Degree 3)	830V/400V
DIELECTRIC VOLTAGE-WITHSTAND	4.26KV/3.31KV
INSULATION RESISTANCE	10 ¹⁰ Ω or more
CONTACT RESISTANCE	0.3mΩ/1mΩ or less
LIMITING TEMPERATURE	-40~+125°C
MATERIAL	PC
CONTACT	Included
TERMINATION TYPE	Screw termination type
CONDUCTOR NOMINAL CROSS SECTIONAL AREA	1.5~16mm ² / 0.5~2.5mm ²
GUIDE PIN, GUIDE BUSH	SCPA448/449

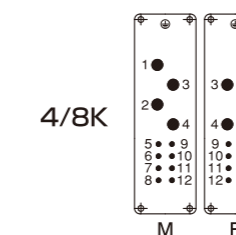
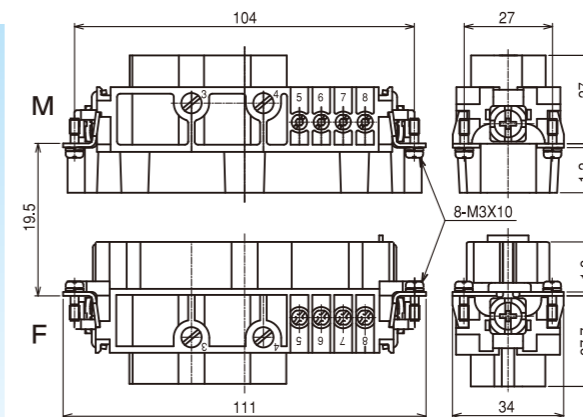
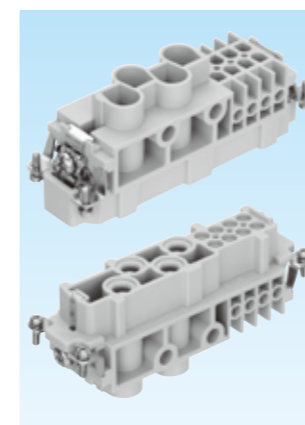
CURRENT CARRYING CAPACITY



4/8 + ⊕

SERIES YSI※4/8K 600V 80A/16A SIZE 24B SCREW TERMINATION

- STYLE B
- Combination of POWER CONTACT, SIGNAL CONTACT
- Screw termination type
- Contact arrangement: View from termination side
- Suitable terminal for 80A contact: Ferrule



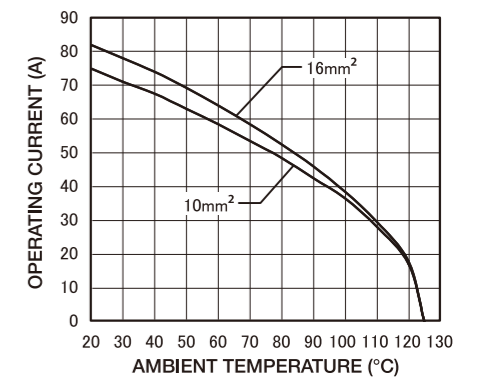
[SCREW TERMINATION]

DELIVERY	ITEM NO.	MALE/FEMALE	NUMBER OF CONTACTS	SIZE	SIZE OF CONNECTABLE HOOD-HOUSING	WEIGHT (g/PC)	QTY/PACKAGE
⊙	YSIMB4/8K	Male	4 + ⊕	24B	24B	133	1
⊙	YSIFB4/8K	Female	8 + ⊕			133	1

DATA / TECHNICAL CHARACTERISTICS

RATED CURRENT	80A/16A
RATED VOLTAGE	600V
UL/CSA	600V
DIN/EN (Pollution Degree 3)	400V
DIELECTRIC VOLTAGE-WITHSTAND	3.31KV
INSULATION RESISTANCE	10 ¹⁰ Ω or more
CONTACT RESISTANCE	0.3mΩ/1mΩ or less
LIMITING TEMPERATURE	-40~+125°C
MATERIAL	PC
CONTACT	Included
TERMINATION TYPE	Screw termination type
CONDUCTOR NOMINAL CROSS SECTIONAL AREA	1.5~16mm ² / 0.5~2.5mm ²
GUIDE PIN, GUIDE BUSH	SCPA448/449

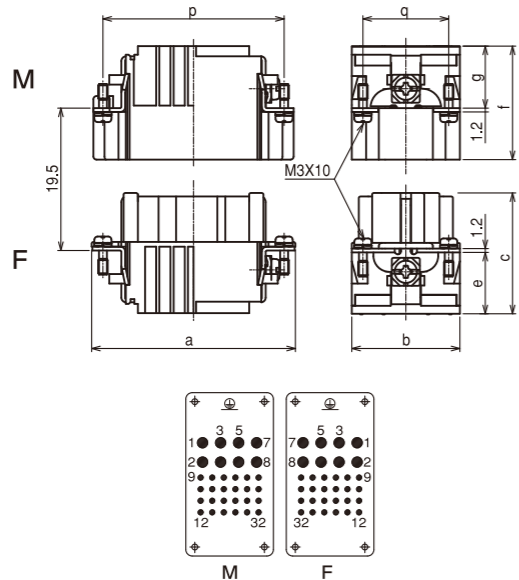
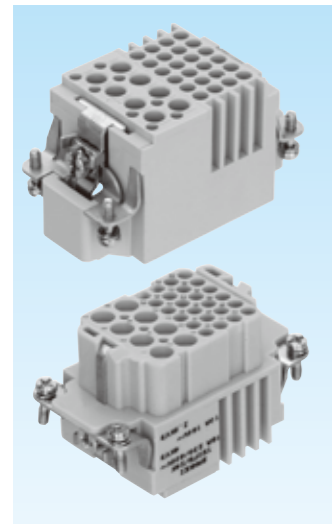
CURRENT CARRYING CAPACITY



8/24 + ⊕

SERIES YSI※8/24K 600V 16A/10A SIZE10B CRIMP TERMINATION

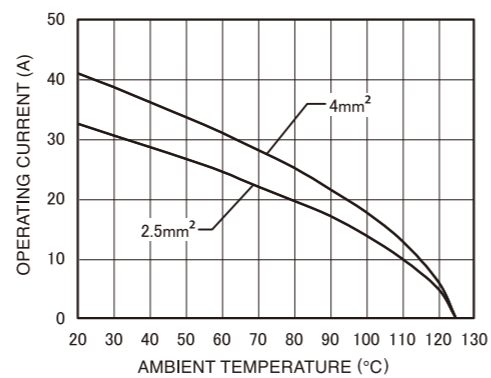
- STYLE B
- Combination of POWER CONTACT, SIGNAL CONTACT
- Crimp termination type
- Contact arrangement: View from termination side



DATA / TECHNICAL CHARACTERISTICS

RATED CURRENT	16A/10A	
RATED VOLTAGE	UL/CSA	600V
	DIN/EN (Pollution Degree 3)	230V/400V, 160V
DIELECTRIC VOLTAGE-WITHSTAND	2.21KV/1.39KV	
INSULATION RESISTANCE	10 ¹⁰ Ω or more	
CONTACT RESISTANCE	1mΩ/3mΩ or less	
LIMITING TEMPERATURE	-40~+125°C	
MATERIAL	PC	
CONTACT	CC2.5/1.6 (Separately available)	
TERMINATION TYPE	Crimp termination type	
CONDUCTOR NOMINAL CROSS SECTIONAL AREA	0.5~4mm ² / 0.14~2.5mm ²	
GUIDE PIN, GUIDE BUSH	SCPA448/449	

CURRENT CARRYING CAPACITY



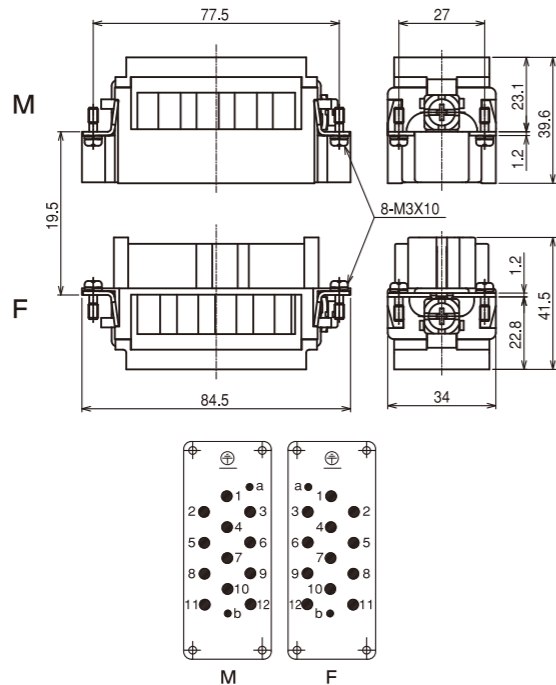
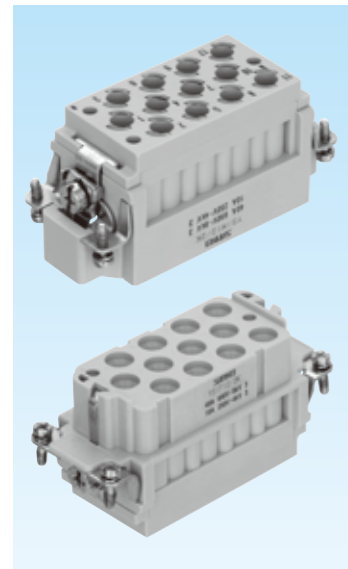
[CRIMP TERMINATION]

DELIVERY	ITEM NO.	MALE/FEMALE	NUMBER OF CONTACTS	SIZE	SIZE OF CONNECTABLE HOOD-HOUSING	WEIGHT (g/PC)	QTY/PACKAGE
-	YSIM8/24K	Male	8 + ⊕	10B	10B		
-	YSIF8/24K	Female	24				

12/2 + ⊕

SERIES YSI※12/2K 600V 40A/10A SIZE 16B CRIMP TERMINATION

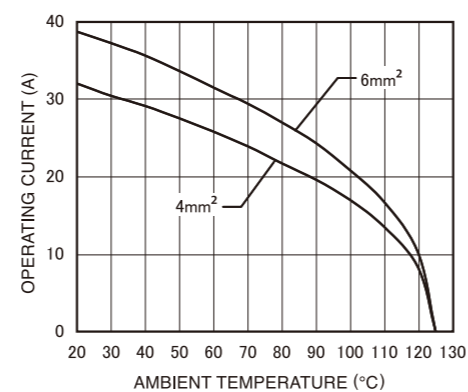
- STYLE B
- Combination of POWER CONTACT, SIGNAL CONTACT
- Screw termination type
- Contact arrangement: View from termination side



DATA / TECHNICAL CHARACTERISTICS

RATED CURRENT	40A/10A	
RATED VOLTAGE	UL/CSA	600V
	DIN/EN (Pollution Degree 3)	690V/250V
DIELECTRIC VOLTAGE-WITHSTAND	4.26KV/2.21KV	
INSULATION RESISTANCE	10 ¹⁰ Ω or more	
CONTACT RESISTANCE	0.3mΩ/3mΩ or less	
LIMITING TEMPERATURE	-40~+125°C	
MATERIAL	PC	
CONTACT	CC4.0/1.6 (Separately available)	
TERMINATION TYPE	Crimp termination type	
CONDUCTOR NOMINAL CROSS SECTIONAL AREA	1.5~6mm ² / 0.14~2.5mm ²	
GUIDE PIN, GUIDE BUSH	SCPA448/449	

CURRENT CARRYING CAPACITY



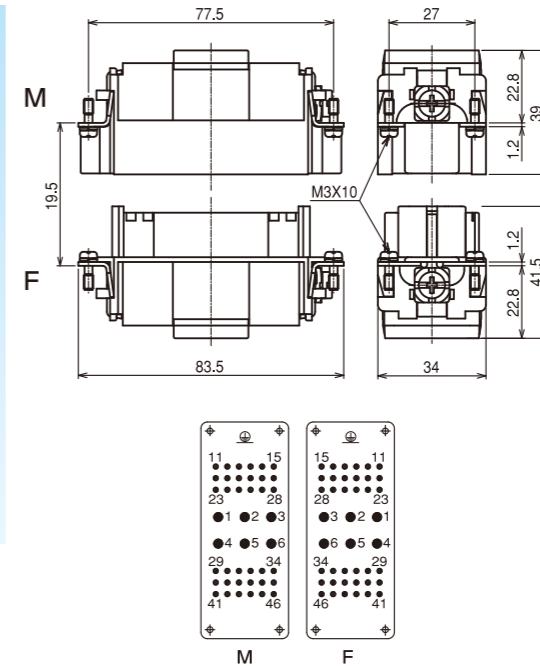
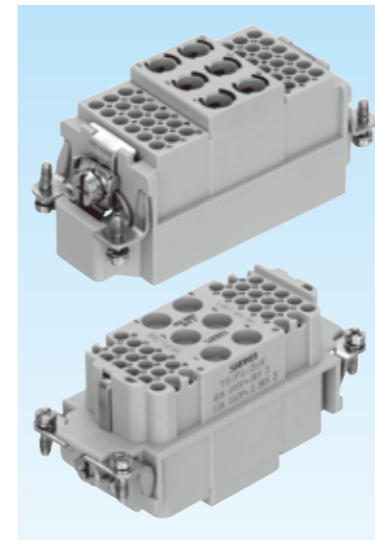
[CRIMP TERMINATION]

DELIVERY	ITEM NO.	MALE/FEMALE	NUMBER OF CONTACTS	SIZE	SIZE OF CONNECTABLE HOOD-HOUSING	WEIGHT (g/PC)	QTY/PACKAGE
-	YSIM12/2K	Male	12 + ⊕	16B	16B		
-	YSIF12/2K	Female	2				

6/36 + ⊕

SERIES YSI※6/36K 600V 40A/10A SIZE 16B CRIMP TERMINATION

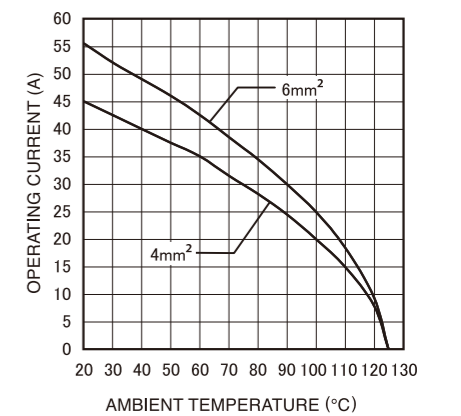
- STYLE B
- Combination of POWER CONTACT, SIGNAL CONTACT
- Crimp termination type
- Contact arrangement: View from termination side



DATA / TECHNICAL CHARACTERISTICS

RATED CURRENT	40A/10A	
RATED VOLTAGE	UL/CSA	600V
	DIN/EN (Pollution Degree 3)	690V/160V
DIELECTRIC VOLTAGE-WITHSTAND	4.26KV/1.39KV	
INSULATION RESISTANCE	10 ¹⁰ Ω or more	
CONTACT RESISTANCE	0.3mΩ/3mΩ or less	
LIMITING TEMPERATURE	-40~+125°C	
MATERIAL	PC	
CONTACT	CC4.0/1.6 (Separately available)	
TERMINATION TYPE	Crimp termination type	
CONDUCTOR NOMINAL CROSS SECTIONAL AREA	1.5~6mm ² / 0.14~2.5mm ²	
GUIDE PIN, GUIDE BUSH	SCPA448/449	

CURRENT CARRYING CAPACITY



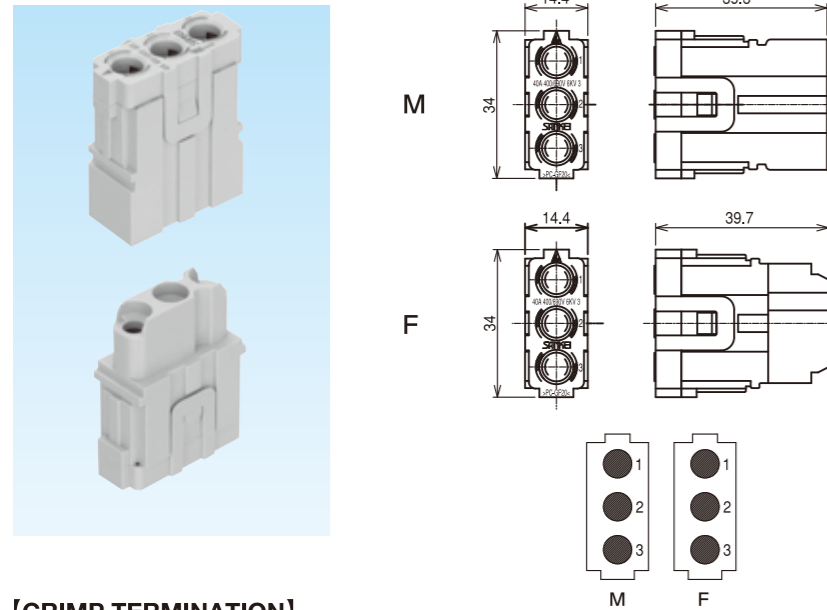
[CRIMP TERMINATION]

DELIVERY	ITEM NO.	MALE/FEMALE	NUMBER OF CONTACTS	SIZE	SIZE OF CONNECTABLE HOOD-HOUSING	WEIGHT (g/PC)	QTY/PACKAGE
-	YSIM6/36K	Male	6 + ⊕	16B	16B		
-	YSIF6/36K	Female	36				

3

SERIES YSI※3MC 600V 40A **CRIMP TERMINATION**

- Designed for conductor nominal cross sectional area 6 mm² (max.)
- Crimp termination type
- Contact arrangement: View from termination side



[CRIMP TERMINATION]

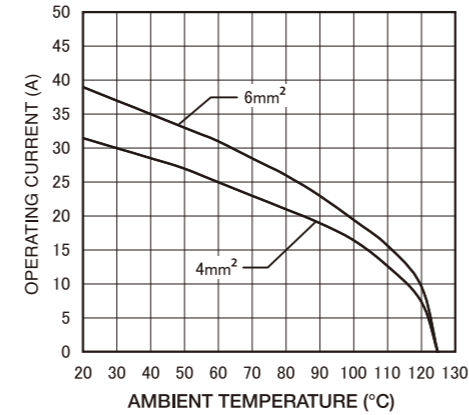
DELIVERY	ITEM NO.	MALE/FEMALE	NUMBER OF CONTACTS	CONNECTABLE MODULE FLAME	WEIGHT (g/PC)	QTY/PACKAGE
○	YSIM3MC	Male	3	YSFD※※	10	5
◎	YSIF3MC	Female		YSFH※※	9	5

※※ denotes either 6B,10B,16B, 24B

DATA / TECHNICAL CHARACTERISTICS

RATED CURRENT	40A	
RATED VOLTAGE	UL/CSA	600V
	DIN/EN (Pollution Degree 3)	400V/690V
DIELECTRIC VOLTAGE-WITHSTAND	3.31KV	
INSULATION RESISTANCE	10 ¹⁰ Ω or more	
CONTACT RESISTANCE	0.3mΩ or less	
LIMITING TEMPERATURE	-40~+125°C	
MATERIAL	PC	
CONTACT	CC4.0 (Separately available)	
TERMINATION TYPE	Crimp termination type	
CONDUCTOR NOMINAL CROSS SECTIONAL AREA	1.5~6.0mm ²	
GUIDE PIN, GUIDE BUSH	SCPA508/509	

CURRENT CARRYING CAPACITY

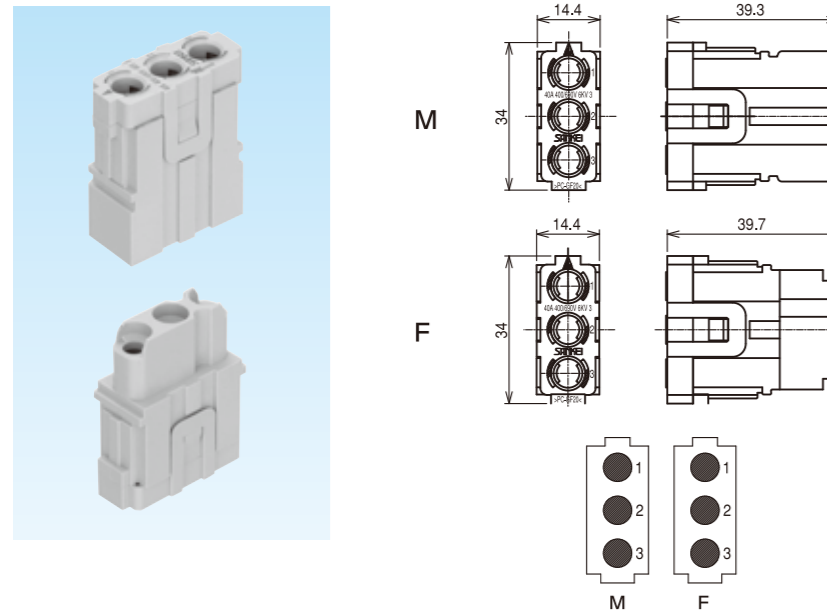


Applies only to the condition where YSF※24B is with 6 modules

3

SERIES YSI※3MC2 600V/500V 40A **CRIMP TERMINATION**

- Designed for conductor nominal cross sectional area 10 mm² (max.)
- Use crimping tool YSTL268 when crimping conductor nominal cross sectional area 10 mm²
- Contact arrangement: View from termination side
- Crimp termination type



[CRIMP TERMINATION]

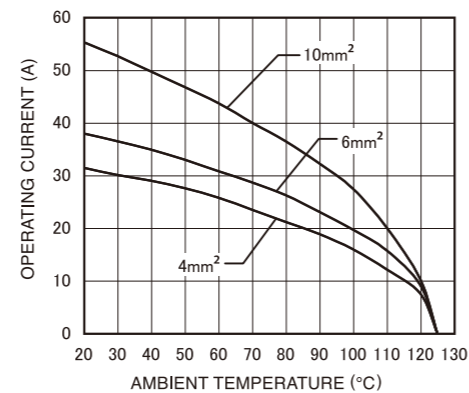
DELIVERY	ITEM NO.	MALE/FEMALE	NUMBER OF CONTACTS	CONNECTABLE MODULE FLAME	WEIGHT (g/PC)	QTY/PACKAGE
○	YSIM3MC2	Male	3	YSFD※※	10	5
◎	YSIF3MC2	Female		YSFH※※	9	5

※※ denotes either 6B,10B,16B, 24B

DATA / TECHNICAL CHARACTERISTICS

RATED CURRENT	40A	
RATED VOLTAGE	UL/CSA	600V
	DIN/EN (Pollution Degree 3)	500V
DIELECTRIC VOLTAGE-WITHSTAND	3.31KV	
INSULATION RESISTANCE	10 ¹⁰ Ω or more	
CONTACT RESISTANCE	0.3mΩ or less	
LIMITING TEMPERATURE	-40~+125°C	
MATERIAL	PC	
CONTACT	CC4.0 (Separately available)	
TERMINATION TYPE	Crimp termination type	
CONDUCTOR NOMINAL CROSS SECTIONAL AREA	1.5~10mm ²	
GUIDE PIN, GUIDE BUSH	SCPA508/509	

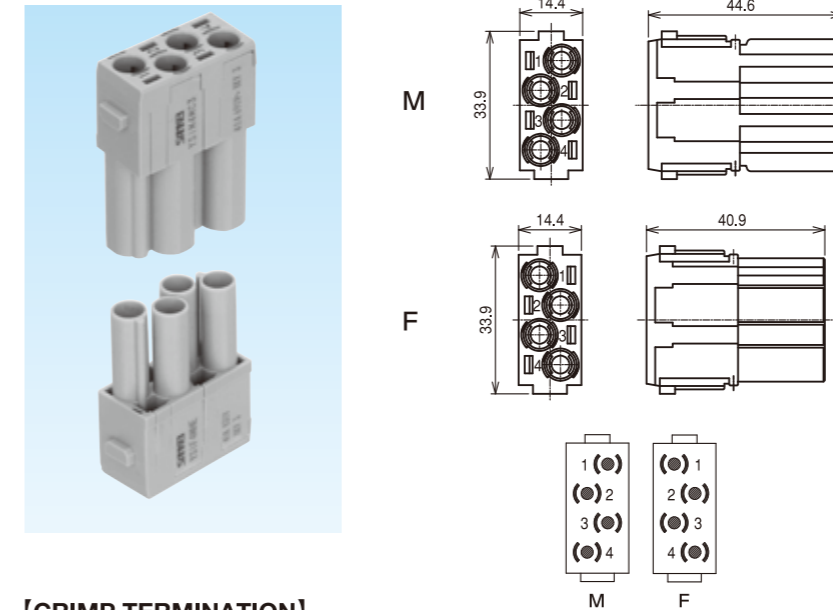
CURRENT CARRYING CAPACITY



4

SERIES YSI※4MC3 600V/830V 40A **CRIMP TERMINATION**

- Designed for high rated voltage requirement
- Crimp termination type
- Contact arrangement: View from termination side



[CRIMP TERMINATION]

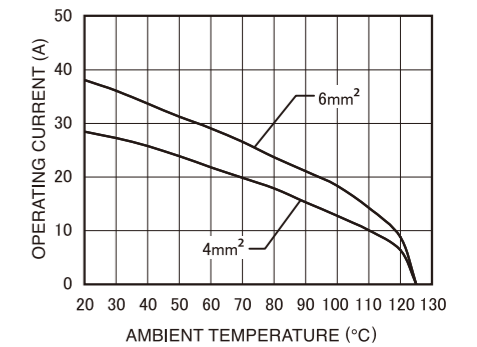
DELIVERY	ITEM NO.	MALE/FEMALE	NUMBER OF CONTACTS	CONNECTABLE MODULE FLAME	WEIGHT (g/PC)	QTY/PACKAGE
-	YSIM4MC3	Male	4	要問い合わせ		
-	YSIF4MC3	Female				

※※ denotes either 6B,10B,16B, 24B

DATA / TECHNICAL CHARACTERISTICS

RATED CURRENT	40A	
RATED VOLTAGE	UL/CSA	600V
	DIN/EN (Pollution Degree 3)	830V
DIELECTRIC VOLTAGE-WITHSTAND	4.26KV	
INSULATION RESISTANCE	10 ¹⁰ Ω or more	
CONTACT RESISTANCE	0.3mΩ or less	
LIMITING TEMPERATURE	-40~+125°C	
MATERIAL	PC	
CONTACT	CC4.0 (Separately available)	
TERMINATION TYPE	Crimp termination type	
CONDUCTOR NOMINAL CROSS SECTIONAL AREA	1.5~6.0mm ²	
GUIDE PIN, GUIDE BUSH	SCPA508/509	

CURRENT CARRYING CAPACITY

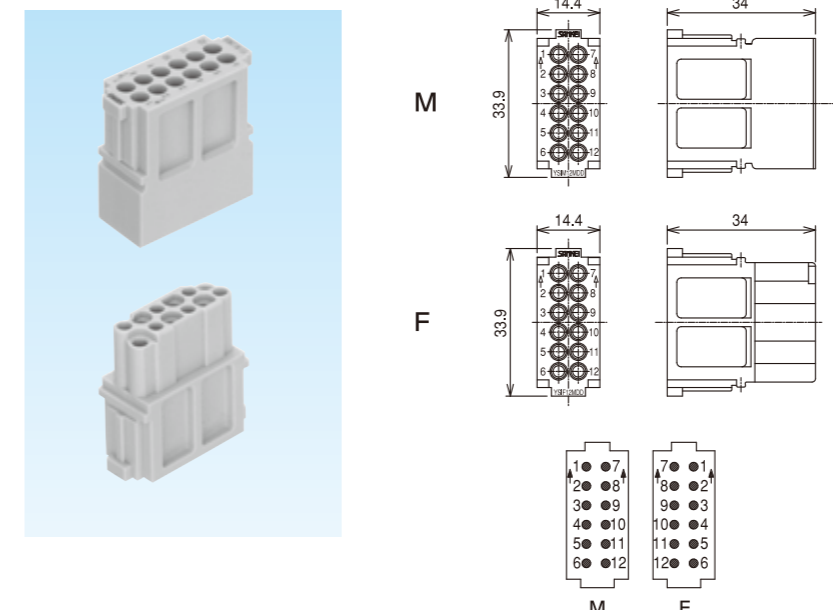


Applies only to the condition where YSF※24B is with 6 modules

12

SERIES YSI※12MDD 600V 10A **CRIMP TERMINATION**

- Density of crimping contacts: High
- Crimp termination type
- Contact arrangement: View from termination side



[CRIMP TERMINATION]

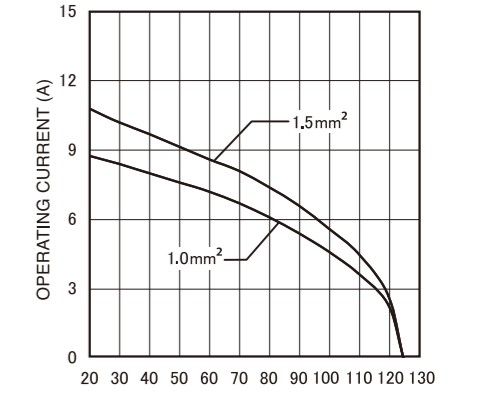
DELIVERY	ITEM NO.	MALE/FEMALE	NUMBER OF CONTACTS	CONNECTABLE MODULE FLAME	WEIGHT (g/PC)	QTY/PACKAGE
○	YSIM12MDD	Male	12	YSFD※※	10	5
◎	YSIF12MDD	Female		YSFH※※	9	5

※※ denotes either 6B,10B,16B, 24B

DATA / TECHNICAL CHARACTERISTICS

RATED CURRENT	10A	
RATED VOLTAGE	UL/CSA	600V
	DIN/EN (Pollution Degree 3)	250V
DIELECTRIC VOLTAGE-WITHSTAND	2.21KV	
INSULATION RESISTANCE	10 ¹⁰ Ω or more	
CONTACT RESISTANCE	3mΩ or less	
LIMITING TEMPERATURE	-40~+125°C	
MATERIAL	PC	
CONTACT	CC1.6 (Separately available)	
TERMINATION TYPE	Crimp termination type	
CONDUCTOR NOMINAL CROSS SECTIONAL AREA	0.14~2.5mm ²	
GUIDE PIN, GUIDE BUSH	SCPA508/509	

CURRENT CARRYING CAPACITY

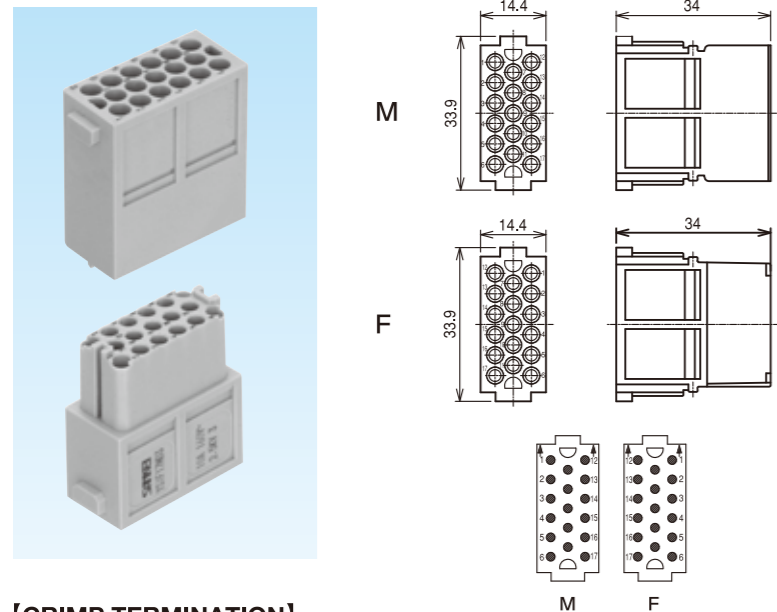


Applies only to the condition where YSF※24B is with 6 modules

17

SERIES YSI※17MDDD 250V 10A CRIMP TERMINATION

- Density of crimping contacts: Very High
- Crimp termination type
- Contact arrangement: View from termination side



[CRIMP TERMINATION]

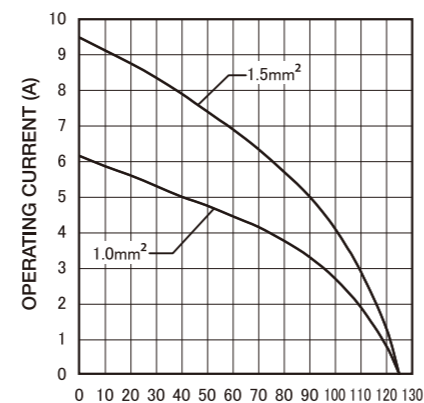
DELIVERY	ITEM NO.	MALE/FEMALE	NUMBER OF CONTACTS	CONNECTABLE MODULE FLAME	WEIGHT (g/PC)	QTY/PACKAGE
—	YSIM17MDDD	Male	17	YSFD※※		
—	YSIF17MDDD	Female		YSFH※※		

※※ denotes either 6B,10B,16B, 24B

DATA / TECHNICAL CHARACTERISTICS

RATED CURRENT	10A	
RATED VOLTAGE	UL/CSA	250V
	DIN/EN (Pollution Degree 3)	160V
DIELECTRIC VOLTAGE-WITHSTAND	1.39KV	
INSULATION RESISTANCE	10 ¹⁰ Ω or more	
CONTACT RESISTANCE	3mΩ or less	
LIMITING TEMPERATURE	-40~+125°C	
MATERIAL	PC	
CONTACT	CC1.6 (Separately available)	
TERMINATION TYPE	Crimp termination type	
CONDUCTOR NOMINAL CROSS SECTIONAL AREA	0.14~2.5mm ²	
GUIDE PIN, GUIDE BUSH	SCPA508/509	

CURRENT CARRYING CAPACITY

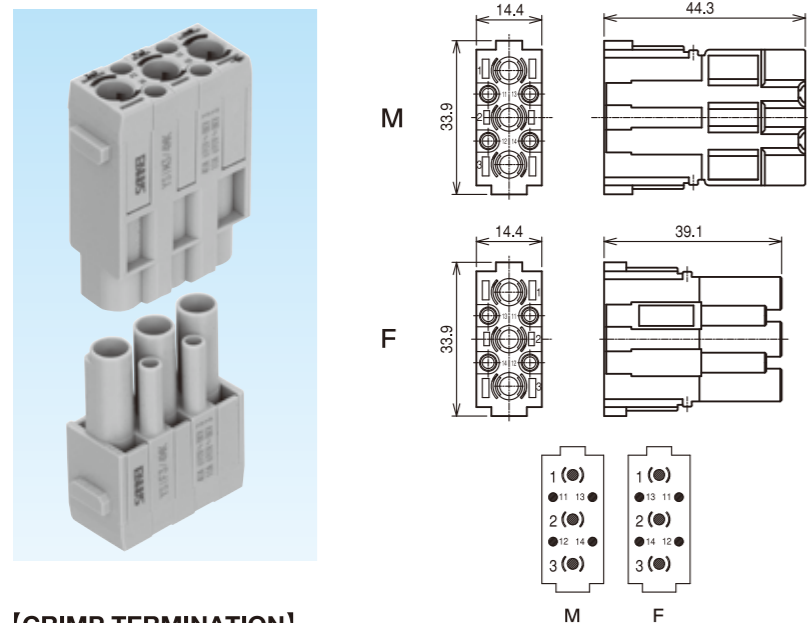


Applies only to the condition where YSF※24B is with 6 modules

3/4

SERIES YSI※3/4MK 600V/830V 40A/10A CRIMP TERMINATION

- Combination of POWER CONTACT, SIGNAL CONTACT
- Crimp termination type
- Designed for high rated voltage requirement
- Contact arrangement: View from termination side



[CRIMP TERMINATION]

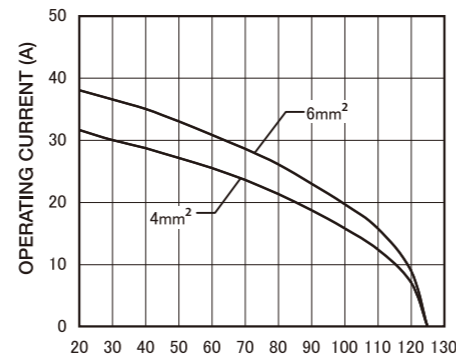
DELIVERY	ITEM NO.	MALE/FEMALE	NUMBER OF CONTACTS	CONNECTABLE MODULE FLAME	WEIGHT (g/PC)	QTY/PACKAGE
—	YSIM3/4MK	Male	3/4	YSFD※※		
—	YSIF3/4MK	Female		YSFH※※		

※※ denotes either 6B,10B,16B, 24B

DATA / TECHNICAL CHARACTERISTICS

RATED CURRENT	40A/10A	
RATED VOLTAGE	UL/CSA	600V
	DIN/EN (Pollution Degree 3)	830V
DIELECTRIC VOLTAGE-WITHSTAND	4.26KV	
INSULATION RESISTANCE	10 ¹⁰ Ω or more	
CONTACT RESISTANCE	0.3mΩ/3mΩ or less	
LIMITING TEMPERATURE	-40~+125°C	
MATERIAL	PC	
CONTACT	CC4.0/1.6 (Separately available)	
TERMINATION TYPE	Crimp termination type	
CONDUCTOR NOMINAL CROSS SECTIONAL AREA	1.5~6mm ² / 0.14~2.5mm ²	
GUIDE PIN, GUIDE BUSH	SCPA508/509	

CURRENT CARRYING CAPACITY



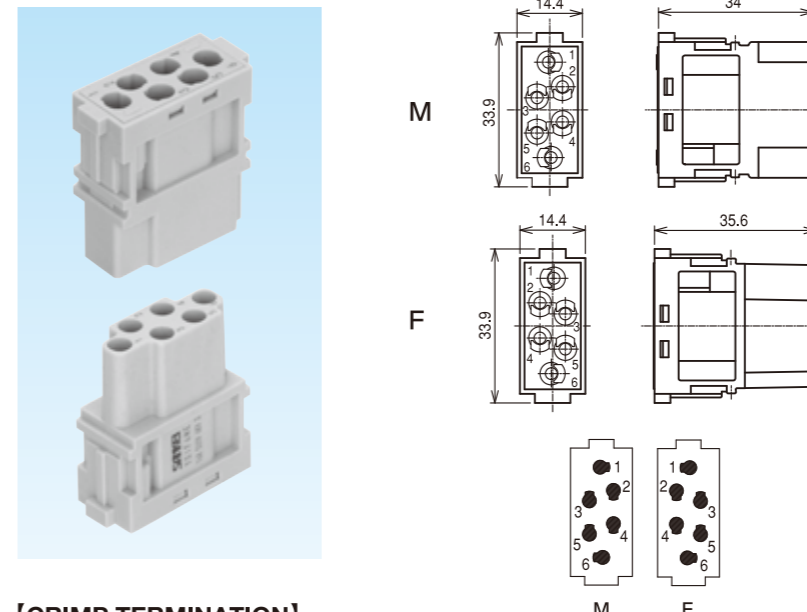
Applies only to the condition where YSF※24B is with 6 modules

Contact us for information of product availability and delivery

6

SERIES YSI※6ME 600V 16A CRIMP TERMINATION

- Density of crimping contacts: Regular
- Crimp termination type
- RELAY CONTACT can be used
- Contact arrangement: View from termination side



[CRIMP TERMINATION]

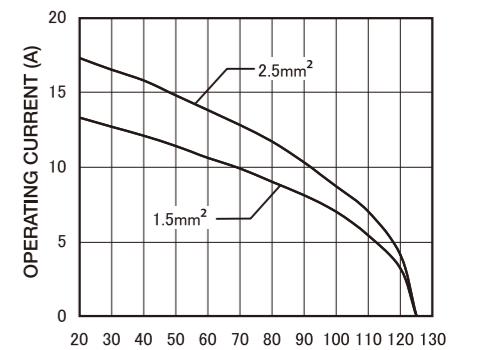
DELIVERY	ITEM NO.	MALE/FEMALE	NUMBER OF CONTACTS	CONNECTABLE MODULE FLAME	WEIGHT (g/PC)	QTY/PACKAGE
○	YSIM6ME	Male	6	YSFD※※	10	5
○	YSIF6ME	Female		YSFH※※	9	5

※※ denotes either 6B,10B,16B, 24B

DATA / TECHNICAL CHARACTERISTICS

RATED CURRENT	16A	
RATED VOLTAGE	UL/CSA	600V
	DIN/EN (Pollution Degree 3)	500V
DIELECTRIC VOLTAGE-WITHSTAND	3.31KV	
INSULATION RESISTANCE	10 ¹⁰ Ω or more	
CONTACT RESISTANCE	1mΩ or less	
LIMITING TEMPERATURE	-40~+125°C	
MATERIAL	PC	
CONTACT	CC2.5 (Separately available)	
TERMINATION TYPE	Crimp termination type	
CONDUCTOR NOMINAL CROSS SECTIONAL AREA	0.5~4mm ²	
GUIDE PIN, GUIDE BUSH	SCPA508/509	

CURRENT CARRYING CAPACITY

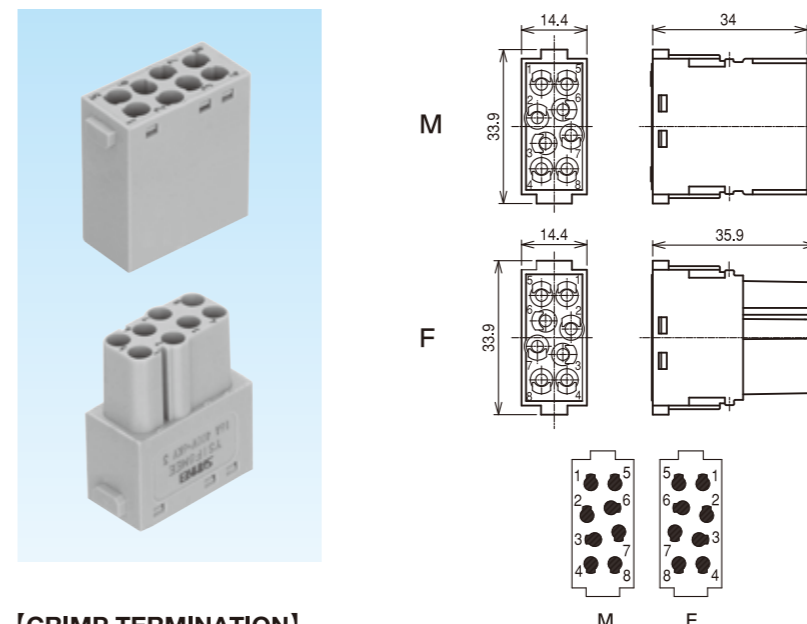


Applies only to the condition where YSF※24B is with 6 modules

8

SERIES YSI※8MEE 600V 16A CRIMP TERMINATION

- Density of crimping contacts: High
- RELAY CONTACT can be used
- Contact arrangement: View from termination side



[CRIMP TERMINATION]

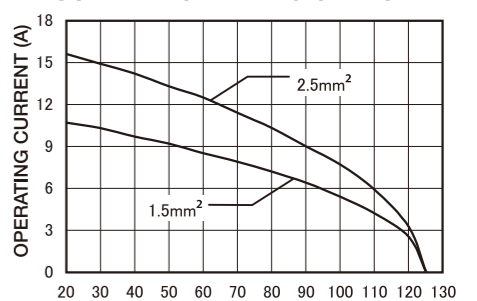
DELIVERY	ITEM NO.	MALE/FEMALE	NUMBER OF CONTACTS	CONNECTABLE MODULE FLAME	WEIGHT (g/PC)	QTY/PACKAGE
—	YSIM8MEE	Male	8	YSFD※※		
—	YSIF8MEE	Female		YSFH※※		

※※ denotes either 6B,10B,16B, 24B

DATA / TECHNICAL CHARACTERISTICS

RATED CURRENT	16A	
RATED VOLTAGE	UL/CSA	600V
	DIN/EN (Pollution Degree 3)	400V
DIELECTRIC VOLTAGE-WITHSTAND	3.31KV	
INSULATION RESISTANCE	10 ¹⁰ Ω or more	
CONTACT RESISTANCE	1mΩ or less	
LIMITING TEMPERATURE	-40~+125°C	
MATERIAL	PC	
CONTACT	CC2.5 (Separately available)	
TERMINATION TYPE	Crimp termination type	
CONDUCTOR NOMINAL CROSS SECTIONAL AREA	0.5~4.0mm ²	
GUIDE PIN, GUIDE BUSH	SCPA508/509	

CURRENT CARRYING CAPACITY



Applies only to the condition where YSF※24B is with 6 modules

Contact us for information of product availability and delivery

6

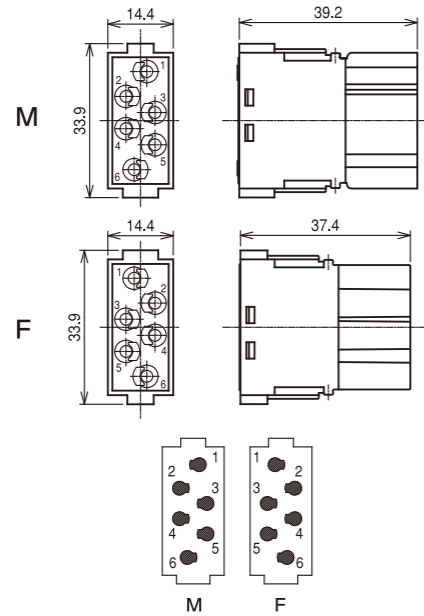
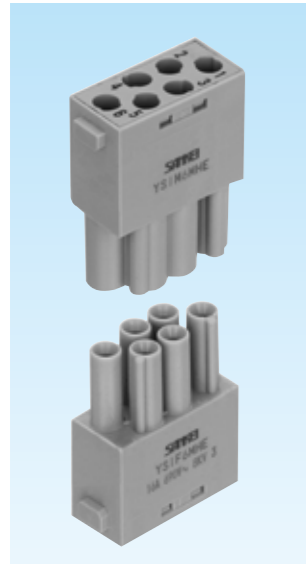
SERIES YSI※6MHE 600V/830V 16A SIZE 16B CRIMP TERMINATION

- Designed for high rated voltage requirement
- Density of crimping contacts: Regular
- Crimp termination type

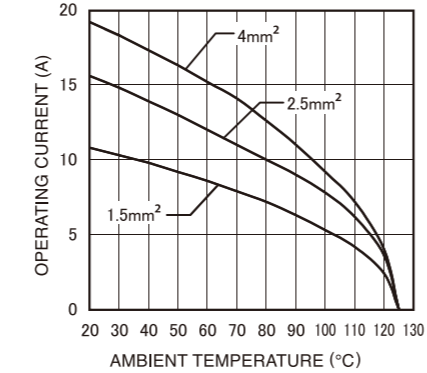
- RELAY CONTACT can be used
- Contact arrangement: View from termination side

DATA / TECHNICAL CHARACTERISTICS

RATED CURRENT		16A
RATED VOLTAGE	UL/CSA	600V
	DIN/EN (Pollution Degree 3)	830V
DIELECTRIC VOLTAGE-WITHSTAND		4.26KV
INSULATION RESISTANCE		10 ¹⁰ Ω or more
CONTACT RESISTANCE		1mΩ or less
LIMITING TEMPERATURE		-40~+125°C
MATERIAL		PC
CONTACT		CC2.5 (Separately available)
TERMINATION TYPE		Crimp termination type
CONDUCTOR NOMINAL CROSS SECTIONAL AREA		0.5~4mm ²
GUIDE PIN, GUIDE BUSH		SCPA508/509



CURRENT CARRYING CAPACITY



Applies only to the condition where YSF※24B is with 6 modules

[CRIMP TERMINATION]

DELIVERY	ITEM NO.	MALE/FEMALE	NUMBER OF CONTACTS	CONNECTABLE MODULE FLAME	WEIGHT (g/PC)	QTY/PACKAGE
—	YSIM6MHE	Male	6	YSFD※※		
—	YSIF6MHE	Female		YSFH※※		

※※ denotes either 6B,10B,16B, 24B

20

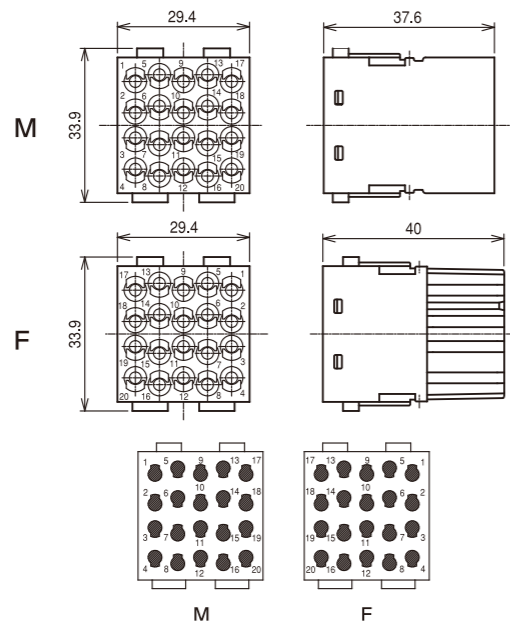
SERIES YSI※20MEEE 600V 16A SIZE 16B CRIMP TERMINATION

- Density of crimping contacts: Very High
- Crimp termination type
- RELAY CONTACT can be used

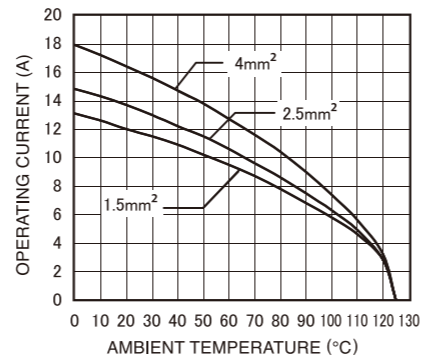
- Contact arrangement: View from termination side

DATA / TECHNICAL CHARACTERISTICS

RATED CURRENT		16A
RATED VOLTAGE	UL/CSA	600V
	DIN/EN (Pollution Degree 3)	500V
DIELECTRIC VOLTAGE-WITHSTAND		3.31KV
INSULATION RESISTANCE		10 ¹⁰ Ω or more
CONTACT RESISTANCE		1mΩ or less
LIMITING TEMPERATURE		-40~+125°C
MATERIAL		PC
CONTACT		CC2.5 (Separately available)
TERMINATION TYPE		Crimp termination type
CONDUCTOR NOMINAL CROSS SECTIONAL AREA		0.5~4mm ²
GUIDE PIN, GUIDE BUSH		SCPA508/509



CURRENT CARRYING CAPACITY



Applies only to the condition where YSF※24B is with 3 modules

[CRIMP TERMINATION]

DELIVERY	ITEM NO.	MALE/FEMALE	NUMBER OF CONTACTS	CONNECTABLE MODULE FLAME	WEIGHT (g/PC)	QTY/PACKAGE
—	YSIM20MEEE	Male	20	YSFD※※		
—	YSIF20MEEE	Female		YSFH※※		

※※ denotes either 6B,10B,16B, 24B

Contact us for information of product availability and delivery

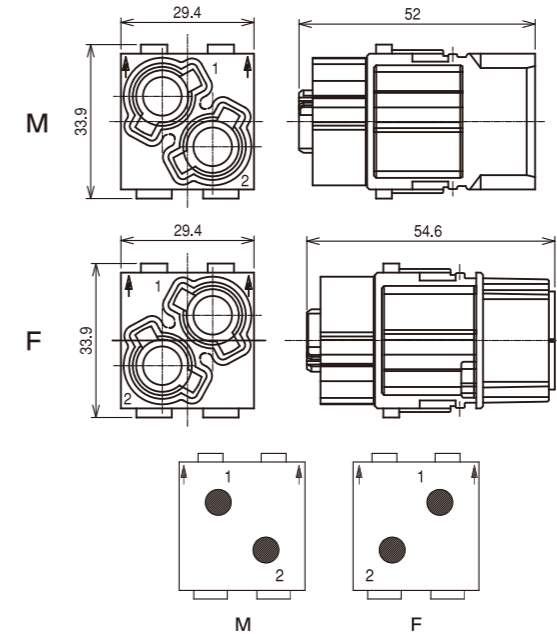
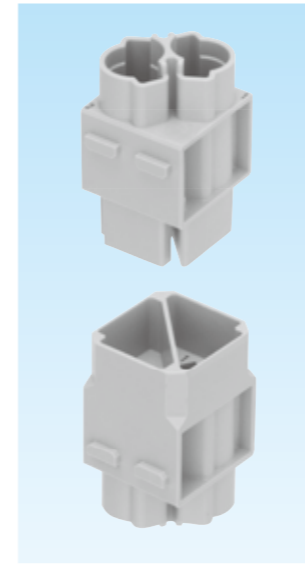
2

SERIES YSI※2MHH 600V 100A SIZE 16B CRIMP TERMINATION

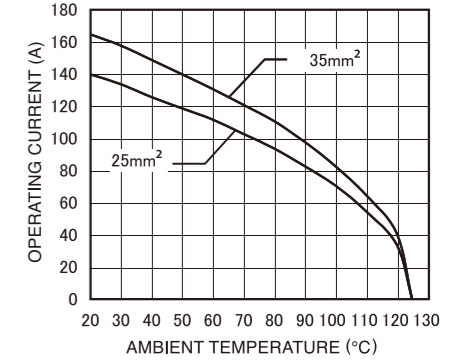
- Designed for high rated voltage requirement
- Contact arrangement: View from termination side

DATA / TECHNICAL CHARACTERISTICS

RATED CURRENT		100A
RATED VOLTAGE	UL/CSA	600V
	DIN/EN (Pollution Degree 3)	1,000V
DIELECTRIC VOLTAGE-WITHSTAND		4.26KV
INSULATION RESISTANCE		10 ¹⁰ Ω or more
CONTACT RESISTANCE		0.3mΩ or less
LIMITING TEMPERATURE		-40~+125°C
MATERIAL		PC
CONTACT		CC8.0 (Separately available)
TERMINATION TYPE		Crimp termination type
CONDUCTOR NOMINAL CROSS SECTIONAL AREA		16~35mm ²
GUIDE PIN, GUIDE BUSH		SCPA508/509



CURRENT CARRYING CAPACITY



Applies only to the condition where YSF※24B is with 3 modules

[CRIMP TERMINATION]

DELIVERY	ITEM NO.	MALE/FEMALE	NUMBER OF CONTACTS	CONNECTABLE MODULE FLAME	WEIGHT (g/PC)	QTY/PACKAGE
—	YSIM2MHH	Male	2	YSFD※※		
—	YSIF2MHH	Female		YSFH※※		

※※ denotes either 6B,10B,16B, 24B

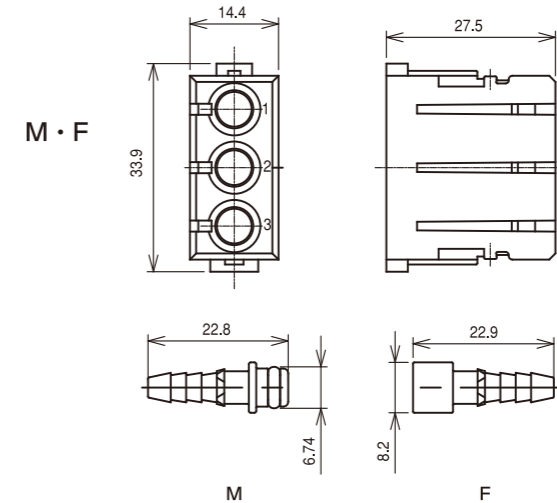
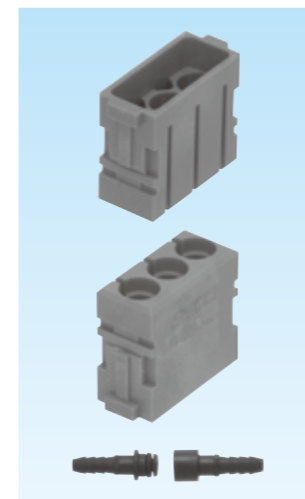
3 (AIR)

SERIES YSAI M3 600V 16A SIZE 16B FOR AIR RELATED TYPE

- Designed for air hoses
- Nipples are separately available

DATA / TECHNICAL CHARACTERISTICS

NUMBER OF CONTACTS		3
LIMITING TEMPERATURE		-40~+80°C
INSERT MATERIAL		PC (Blue)
NIPPLE MATERIAL		POM (Black)
AIR HOSE CONNECTABLE INNER DIA.		φ 4.0



DELIVERY	ITEM NO.	MALE/FEMALE	NUMBER OF CONTACTS	CONNECTABLE MODULE FLAME	WEIGHT (g/PC)	QTY/PACKAGE
○	YSAIM3	Male/Female	AIR INSERT	YSFD※※ YSFH※※	7	5
○	YSF4	Male	FEMALE NIPPLE	YSFD※※ YSFH※※	0.5	20
○	YSM4	Female	MALE NIPPLE	YSFD※※ YSFH※※	0.5	20

※※ denotes either 6B,10B,16B, 24B

Contact us for information of product availability and delivery

8

SERIES YTI※DD 250V 15A CRIMP TERMINATION

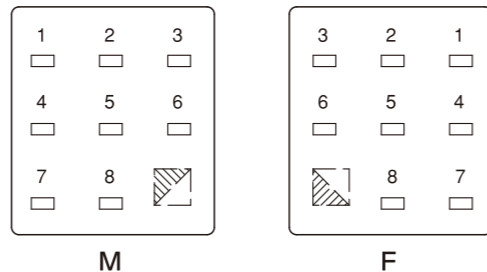
- STYLE 3C
- Designed for AMP D-3 CONTACT
- With 4 DIRECTION ADJUSTABLE CODING PIN to avoid wrong insertion of MALE INSERT and FEMALE INSERT

• Contact arrangement: View from termination side

DATA / TECHNICAL CHARACTERISTICS

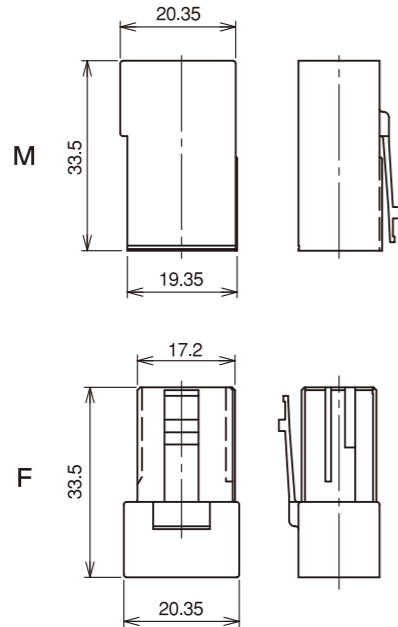
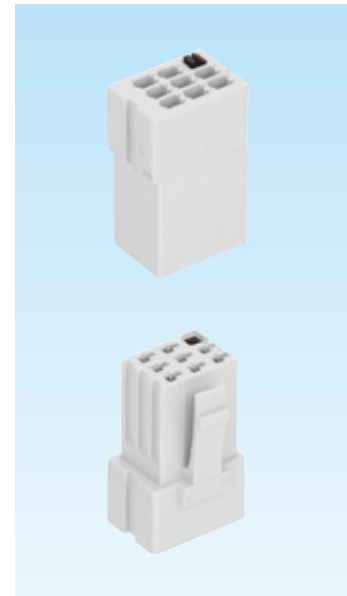
RATED CURRENT	15A (AWG16) <small>when the number of contact is 1</small>
RATED VOLTAGE	250V AC/DC
DIELECTRIC VOLTAGE-WITHSTAND	1500V AC <small>(test duration of time 1 minute)</small>
INSULATION RESISTANCE	100MΩ or more
CONTACT RESISTANCE	10mΩ or less
LIMITING TEMPERATURE	-55~+105°C
MATERIAL	PBT
CONTACT	AMP D-3 (Separately available)
TERMINATION TYPE	Crimp termination type
CONDUCTOR NOMINAL CROSS SECTIONAL AREA	0.08~2.2mm ²

[CONTACT ARRANGEMENT]



[CRIMP TERMINATION]

DELIVERY	ITEM NO.	MALE/FEMALE	NUMBER OF CONTACTS	SIZE	CONNECTABLE HOOD-HOUSING	WEIGHT (g/PC)	QTY/PACKAGE
○	YTIM8DD	Male	8	3C	YTDP3C	7	5
		Female			YTWP3C		
○	YTIF8DD	Female	8	3C	YTHP3C	5	5
		Male			YTZP3C		



12

SERIES YTI※D 250V 5A CRIMP TERMINATION

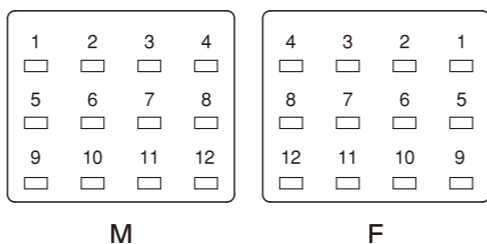
- STYLE 3C
- Designed for AMP D-2 CONTACT

• Contact arrangement: View from termination side

DATA / TECHNICAL CHARACTERISTICS

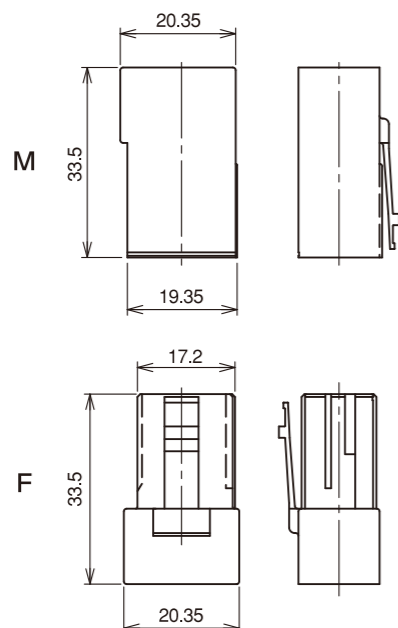
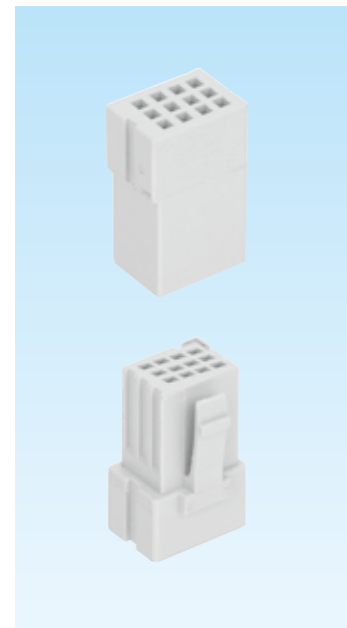
RATED CURRENT	5A (AWG18)
RATED VOLTAGE	250V AC/DC
DIELECTRIC VOLTAGE-WITHSTAND	1500V AC <small>(test duration of time 1 minute)</small>
INSULATION RESISTANCE	100MΩ or more
CONTACT RESISTANCE	10mΩ or less
LIMITING TEMPERATURE	-55~+105°C
MATERIAL	PBT
CONTACT	AMP D-2 (Separately available)
TERMINATION TYPE	Crimp termination type
CONDUCTOR NOMINAL CROSS SECTIONAL AREA	0.08~0.85mm ²
GUIDE BUSH	641994-1

[CONTACT ARRANGEMENT]



[CRIMP TERMINATION]

DELIVERY	ITEM NO.	MALE/FEMALE	NUMBER OF CONTACTS	SIZE	CONNECTABLE HOOD-HOUSING	WEIGHT (g/PC)	QTY/PACKAGE
☆	YTIM12D	Male	12	3C	YTDP3C		
		Female			YTWP3C		
☆	YTIF12D	Female	12	3C	YTHP3C		
		Male			YTZP3C		



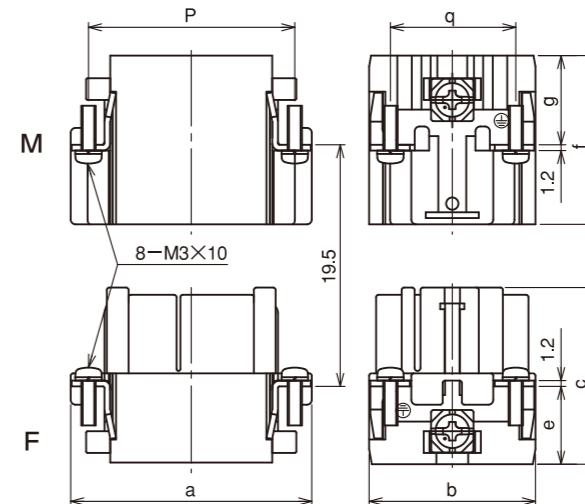
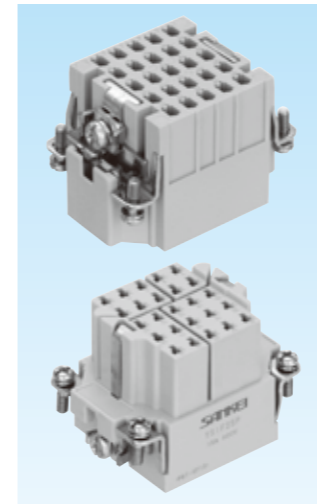
15 + ⊕, 25 + ⊕, 35 + ⊕, 55 + ⊕

SERIES YTI※D 250V 15A CRIMP TERMINATION

- STYLE B
- Designed for AMP D-3 CONTACT

DATA / TECHNICAL CHARACTERISTICS

RATED CURRENT	15A (AWG16) <small>when the number of contact is 1</small>
RATED VOLTAGE	250V AC/DC
DIELECTRIC VOLTAGE-WITHSTAND	1500V AC <small>(test duration of time 1 minute)</small>
INSULATION RESISTANCE	100MΩ or more
CONTACT RESISTANCE	10mΩ or less
LIMITING TEMPERATURE	-55~+105°C
MATERIAL	PBT
CONTACT	AMP D-3
TERMINATION TYPE	Crimp termination type
CONDUCTOR NOMINAL CROSS SECTIONAL AREA	0.08~2.2mm ²
GUIDE PIN, GUIDE BUSH	SCPA448/449

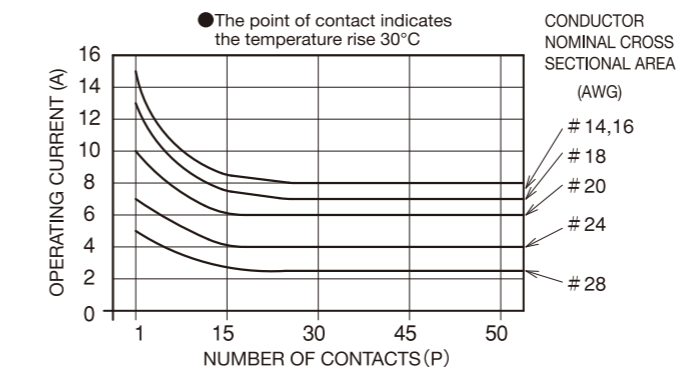


[CRIMP TERMINATION]

DELIVERY	ITEM NO.	MALE/FEMALE	NUMBER OF CONTACTS	SIZE	SIZE OF CONNECTABLE HOOD-HOUSING	a	b	c	e	f	g	p	q	WEIGHT (g/PC)	QTY/PACKAGE
☑	YTIM15D	Male	15 + ⊕	3B	3B	50	22	34.2	14.3	35	18.8	44	16		
☑	YTIF15D	Female													
☑	YTIM25D	Male	25 + ⊕	6B	6B	50	34.5	36.3	15.8	35	18.5	44	27	45	2
☑	YTIF25D	Female													
☑	YTIM35D	Male	35 + ⊕	10B	10B	50	34.5	36.3	15.8	35	18.8	57	27		
☑	YTIF35D	Female													
☑	YTIM55D	Male	55 + ⊕	16B	16B										
☑	YTIF55D	Female													

Number of contacts, operating current (only for reference)

[In the condition where AMP D-3 CONTACT is used.]

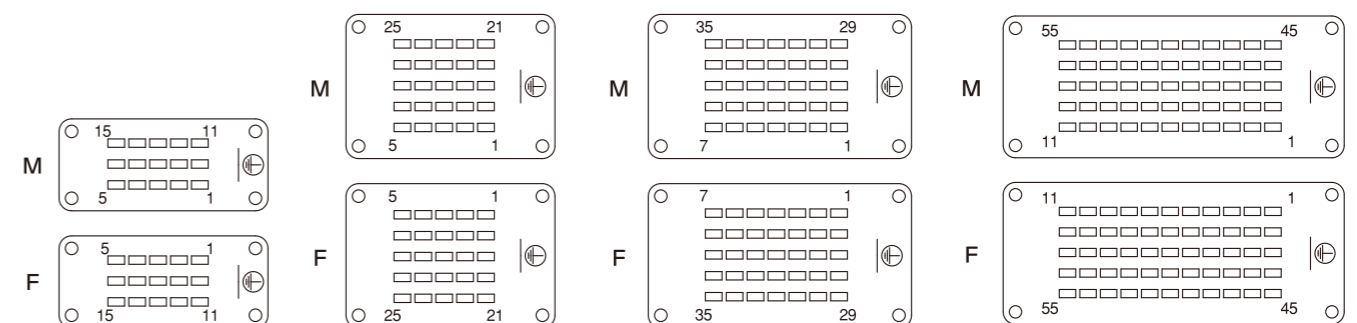


Panel cut out

- The panel cut size for applications where INSERT shall be attached to the panel without HOOD, HOUSING: The same as YSI※DD - 3B (15DD), 6B (24DD), 10B (45DD)
- INSERT shall be attached to the front surface of the panel

Contact arrangement

• Contact arrangement: View from termination side



15D

25D

35D

55D

KEIFLEX

SANLEKI
ROBO

KEIGLAND

POWER
GODZILLA

PLICA TUBE

SANPIPE

GRIPLOK

SANPARTS

SANCABLE

SANCUBE

KEIFLEX

SANLEKI
ROBO

KEIGLAND

POWER
GODZILLA

PLICA TUBE

SANPIPE

GRIPLOK

SANPARTS

SANCABLE

SANCUBE